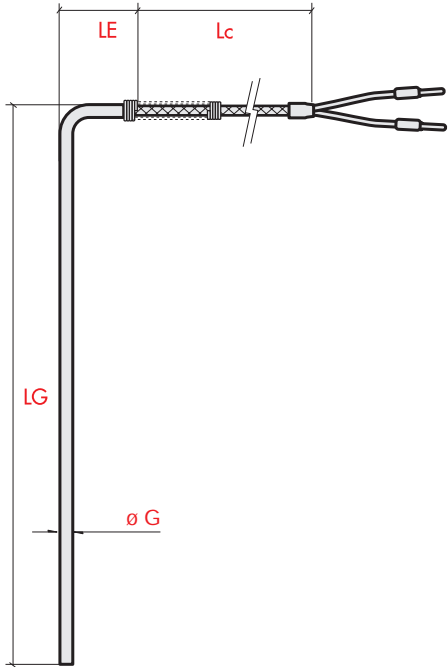


General purpose sensors with wire

A4 90° bend thermocouple, \varnothing from 5 to 8mm



Mounting Fittings

Suggested adjustable compression fittings

Material	ø1	L	CH	øG	Model
AISI 316	1/8"G	10.5	12	5	Z1 RFS-B/EO50
	1/8"NPT	10.5	12	5	Z1 RFS-B/MO50
	1/4"G	12	17	6	Z1 RFS-B/FO60
	1/2"G	14	24	6	Z1 RFS-B/IO60
	1/4"G	12	17	8	Z1 RFS-B/FO80
	1/2"G	14	24	8	Z1 RFS-B/IO80
Treated brass	1/4"G	12	17	6	Z1 RFS-O/FO60
	1/2"G	14	24	6	Z1 RFS-O/IO60
	1/4"G	12	17	8	Z1 RFS-O/FO80
	1/2"G	14	24	8	Z1 RFS-O/IO80

Type of wire	Diam. øG mm	Base code	Thermocouple type	Element N° and limits	Hot junction	Sheath material	Sheath LG mm	Extension LE mm	Lc wire length m	Type of termination			
Tinned EEs: 300°C max	5	A4 A50	L Fe - CuNi DIN	0 Single Cl. 2 (standard)	0 Insulated	B AISI 316	0100	03 30	10 1	P Terminals ø 1.4 - 1.8 max			
TS 0 200°C max	5	A4 D50											
TS T 220°C max	5	A4 G50	J Fe - CuNi IEC	1 Dual Cl. 2 (standard)	1			05 0.5	S Insul. and tinned leads				
Tinned EEs: 300°C max	6	A4 A60	U Cu - CuNi DIN	2 Single Cl. 1 (special)	2 Grounded		0150		15 1.5	F Faston 6.35			
TS 0 200°C max	6	A4 D60											
TS T 220°C max	6	A4 G60	T Cu - CuNi IEC	3 Dual Cl. 1 (special)	3			20 2	D Miniature plug				
Tinned EEs: 300°C max	8	A4 A80	K NiCr - Ni DIN - IEC		3 Exposed		0250		25 2.5	G Standard plug			
											0300	30 3	G Standard plug
											0350	35 3.5	G Standard plug
											0400	40 4	G Standard plug
											0450	45 4.5	J Cylindrical plug ø 17
											0500	50 5	J Cylindrical plug ø 17
											L min 0050	00 10	R Male ø 12 cylindrical plug

Note: other lengths on request for LG, LE and Lc. Code ex.: LG = 135 mm Code 0135 / LE = 60mm Code 06 / Lc = 7m Code 70

Reference model:

90° bended thermocouple with EEs tinned wire, ø 6 sheath, Fe-CuNi DIN, single element, class 2, ungrounded junction plain end, AISI 316 sheath, 100mm length, 30mm extension, 1m wire and ø 1.8 terminals.

A4 A60 - L 0 0 - B 0100 - 03 - 10 P

- - -



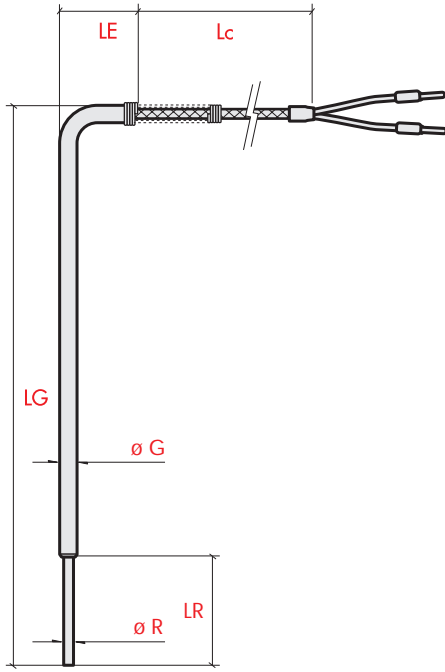


Certificata ISO 9002
Centro taratura SIT **JTC**

ELSI s.r.l. - via Milano, 11 - 20020 Lainate (MI)
Tel.: (02) 9370868 / 9373042 - Fax: (02) 9371724
Home page: www.elsi.it • e-mail: info@elsi.it

General purpose sensors with wire

A5 90° bended/tapered thermocouple,
ø from 6 to 8mm



Mounting Fittings
Suggested adjustable compression fittings

Material	ø1	L	CH	øG	Model
AISI 316	1/4" G	12	17	6	Z1 RFS-B/FO60
	1/2" G	14	24	6	Z1 RFS-B/IO60
	1/4" G	12	17	8	Z1 RFS-B/FO80
	1/2" G	14	24	8	Z1 RFS-B/IO80
Treated brass	1/4" G	12	17	6	Z1 RFS-O/FO60
	1/2" G	14	24	6	Z1 RFS-O/IO60
	1/4" G	12	17	8	Z1 RFS-O/FO80
	1/2" G	14	24	8	Z1 RFS-O/IO80

Type of wire	Diam. øG mm	Base code	Thermocouple type	Element N° and limits	Type of RTD	Sheath material	Sheath LG mm	Tapering øR x LR mm	Extension LE mm	Lc wire length m	Type of termination
Tinned EES: 300°C max	6	A5 A60	L Fe - CuNi DIN	0 Single Cl. 2 (standard)	0	B AISI 316	0100	0 ø4 x 50	03 30	10 1	P Terminals ø 1.4 - 1.8 max
TS 0 200°C max	6	A5 D60									
TS T 220°C max	6	A5 G60	J Fe - CuNi IEC	1 Dual Cl. 2 (standard)	1		0050	1 ø4 x 80		05 0.5	S Insul. and tinned leads
Tinned EES: 300°C max	8	A5 A80	U Cu - CuNi DIN	2 Single Cl. 1 (special)	2		0150	2 ø4 x 100		15 1.5	
TS 0 200°C max	8	A5 D80	T Cu - CuNi IEC	3 Dual Cl. 1 (special)	3		0200	3 ø5 x 50		20 2	F Faston 6.35
TS T 220°C max	8	A5 G80	K NiCr - Ni DIN - IEC		4		0250	4 ø5 x 80		25 2.5	D Miniature plug
					3		0300	5 ø5 x 100		30 3	G Standard plug
					4		0350			35 3.5	
							0400			40 4	J Cylindrical plug ø 17
							0450			45 4.5	
							0500			50 5	
							L min 0080			00 10	R Male ø 12 cylindrical plug

Note: other lengths on request for LG, LE and LC. Code ex.: LG = 135 mm Code 0135 / LE = 60mm Code 06 / Lc = 7m Code 70

Reference model:

90° bended/tapered thermocouple with EEs tinned wire, ø 6 sheath, Fe-CuNi DIN, single element, class 2, ungrounded junction plain end, AISI 316 sheath, 100mm length, tapering ø 4 x 50, extension L30, 1m wire and ø 1.8 terminals.

A5 A60 - L 0 0 - B 0100 . 0 - 03 - 10 P

□ - □ □ □ - □ □ □ . □ - □ - □ □

PRICE LIST



PRINT