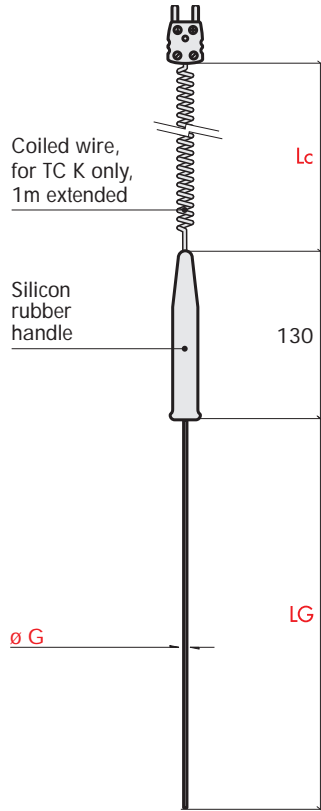


Probes for hand-held thermometers



CO Straight MgO immersion thermocouple. Diam. from 1.5 up to 6mm

Type of wire	Diam. $\varnothing G$ mm	Base code	Thermocouple type	Element N° and limits	Hot junction	Sheath material	Sheath L_G mm	L_c wire length m	Type of termination
Coiled PVC 105°C max TS O	1.5	CO Z15	K NiCr - Ni DIN - IEC	O Single Cl. 2 (standard)	O Insulated	C Inconel 600	O300	Z1 Coiled m 1 max	D Miniature plug
200°C max TS T	1.5	CO D15							
220°C max TS T	1.5	CO G15							
Coiled PVC 105°C max TS O	2	CO Z20			1 Grounded		0150	05 0.5	G Standard plug
200°C max TS T	2	CO D20					0200	15 1.5	
220°C max TS T	2	CO G20					0250	20 2	J Cylindrical plug $\varnothing 17$
Coiled PVC 105°C max TS O	3	CO Z30					0350	25 2.5	
200°C max TS T	3	CO D30					0400	30 3	R Male $\varnothing 12$ cylindric plug
220°C max TS T	3	CO G30					0450	35 3.5	
Coiled PVC 105°C max TS O	4.5	CO Z45					0500	40 4	
200°C max TS T	4.5	CO D45						45 4.5	
220°C max TS T	4.5	CO G45						50 5	
Coiled PVC 105°C max TS O	6	CO Z60							
200°C max TS T	6	CO D60							
220°C max TS T	6	CO G60					L min 0100		

Note: other lengths on request for L_G and L_c . Code ex.: $L_G = 135$ mm Code **0135** / $L_c = 7$ m Code **70**

Reference model:

Straight MgO thermocouple with PVC wire, 3mm diam. sheath, NiCr-Ni single el., class 2, ungrounded, Inconel 600 sheath, 300 mm length, 1m max. coiled wire and compensated miniature plug.

CO Z30 - K O O - C 0300 - Z1 D

- - -



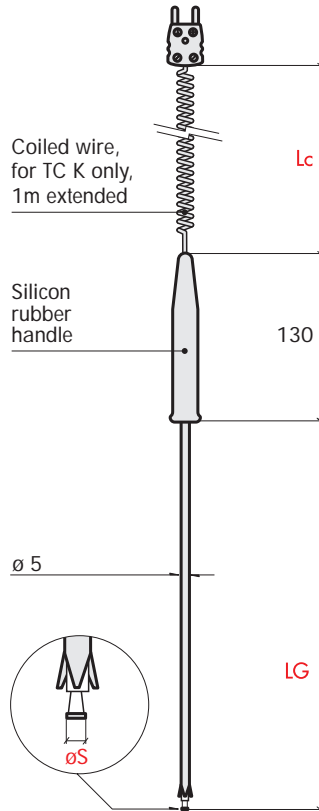


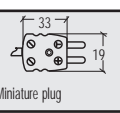
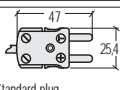
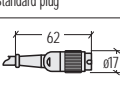
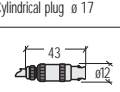
Certificata ISO 9002
Centro taratura SIT **JTC**

ELSI s.r.l. - via Milano, 11 - 20020 Lainate (MI)
Tel.: (02) 9370868 / 9373042 - Fax: (02) 9371724
Home page: www.elsi.it • e-mail: info@elsi.it

Probes for hand-held thermometers

CO Straight spring assembly thermocouple for flat surface contact measurements



Type of wire	Diam. øS mm	Base code	Thermocouple type	Element N° and limits	Hot junction	Sheath material	Sheath LG mm	Lc wire length m	Type of termination		
Coiled PVC 105°C max	4	CO Z40	K NiCr - Ni DIN - IEC	O Single Cl. 2 (standard)	1 Grounded	B AISI 316	0300	Z1	Coiled m 1 max	D  Miniature plug	
TS O 200°C max	4	CO D40						0150	05	0.5	G  Standard plug
Ts T 220°C max	4	CO G40						0200	15	1.5	J  Cylindrical plug ø 17
								0250	20	2	R  Male ø 12 cylindric plug
								0350	25	2.5	
								0400	30	3	
								0450	35	3.5	
								0500	40	4	
									45	4.5	
									50	5	
				L min 0150							

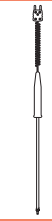
Note: other lengths on request for LG and Lc. Code ex.: LG = 135mm Code 0135 / Lc = 7m Code 70

CO Z40 - K 0 1 - B 0300 - Z1 D

Reference model:

Straight contact thermocouple with PVC wire, 5mm o.d. sheath, NiCr-Ni class 2, grounded single elem., AISI 316 sheath, 300mm length, 1m coiled wire and miniature plug.

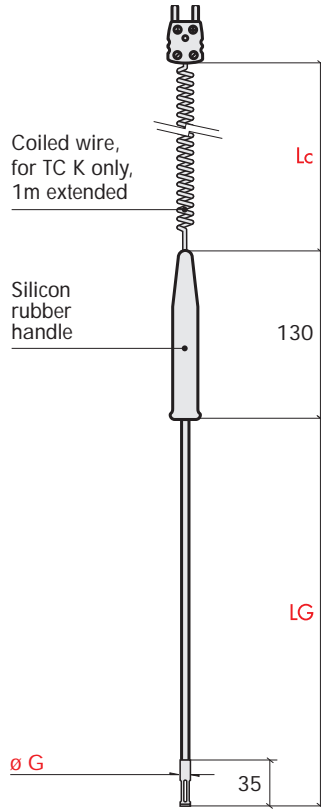
- - -





Probes for hand-held thermometers

CO Straight drilled thermocouple, fast response time for aerothermic detections



Type of wire	Diam. øG mm	Base code	Thermocouple type	Element N° and limits	Hot junction	Sheath material	Sheath LG mm	Lc wire length m	Type of termination																											
Coiled PVC 105°C max	5	CO Z50	K NiCr - Ni DIN - IEC	O Single Cl. 2 (standard)	2 Exposed	B AISI 316	0300	Z1	Coiled m 1 max 																											
TS O 200°C max	5	CO D50						0150	05	0.5	G																									
TS T 220°C max	5	CO G50									0200	15	1.5	J	20	2	Cylindrical plug ø 17																			
																		0250	25	2.5	R	Male ø 12 cylindric plug														
																							0350	30	3											
																										0400	35	3.5								
																													0450	40	4					
																																0500	45	4.5		
																																			50	5

Note: other lengths on request for LG and Lc. Code ex.: LG = 135mm Code 0135 / Lc = 7m Code 70

CO Z50 - K 0 2 - B 0300 - Z1 D

Reference model:

Straight drilled thermocouple with PVC wire, 5mm o.d. sheath, NiCr-Ni exposed single element, class 2, AISI 316 sheath, 300mm length, 1m coiled wire and miniature plug

- - -

