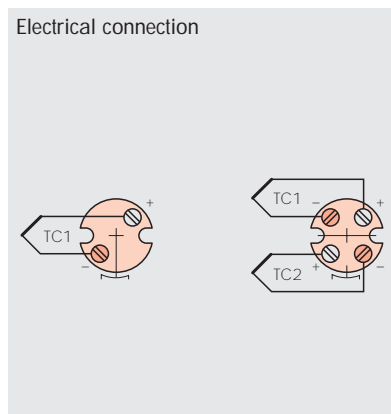
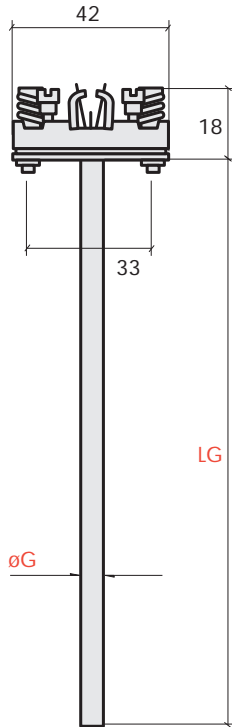


Spring-loaded replaceable insertion



G9 Straight thermoc.,
6 and 8mm ϕ
(suitable also for
series **H** sensors)



Compatible connection heads	Diameter ϕ G mm	Base code	Thermocouple type	Element N° and limits	Hot junction	Sheath material	Sheath LG mm
Standard IP67, optional transmitter * 	6	G9 O60	L Fe - CuNi DIN/600°C max	0 Single Cl. 2 (standard)	0 Insulated	B AISI 316	0100
	8	G9 O80					
	6 + T	G9 T60	J Fe - CuNi IEC/500°C max	1 Dual Cl. 2 (standard)	1 Grounded		0150
	8 + T	G9 T80	K NiCr - Ni DIN -IEC/800°C max	2 Single Cl. 1 (special)		0200	
			3 Dual Cl. 2 (special)	0250			
EEx d IIB IP65, optional transmitter * 							0300
							0350
							0400
							0450
							0500

Note:
* Transmitter for single element only

Note: other lengths on request for LG. Code ex.: LG = 135mm Code 0135

G9 O60 - L 0 0 - B 0100

Reference model:
insertion-straight RTD, 6mm sheath o.d., Fe-CuNi DIN,
class 2 single element, ungrounded element plain end,
AISI 316 sheath, 100mm length.

- -