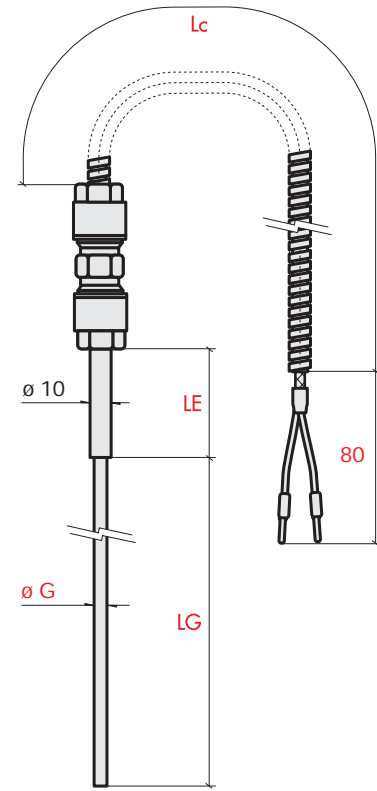




Certificata ISO 9002
Centro taratura SIT **JTC**

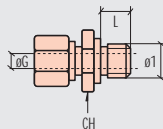
ELSI s.r.l. - via Milano, 11 - 20020 Lainate (MI)
Tel.: (02) 9370868 / 9373042 - Fax: (02) 9371724
Home page: www.elsi.it • e-mail: info@elsi.it

RINA approved sensors for naval pur.



Mounting Fittings

Bayonet assembly sizes



Material	ø1	L	CH	øG	Model
AISI 316	1/4"G	12	17	6	Z1 RFS-B/FO60
	1/2"G	14	24	6	Z1 RFS-B/IO60
	1/4"G	12	17	8	Z1 RFS-B/FO80
	1/2"G	14	24	8	Z1 RFS-B/IO80
Treated brass	1/4"G	12	17	6	Z1 RFS-O/FO60
	1/2"G	14	24	6	Z1 RFS-O/IO60
	1/4"G	12	17	8	Z1 RFS-O/FO80
	1/2"G	14	24	8	Z1 RFS-O/IO80

Thermowells from bar stock

Thermowells format	Description	Base code
	Straight / screw	Z5 EF1

K1 Straight/reinforced Mgo thermocouple, 6 and 8 mm diam. with extension wire

Type of wire	Diameter øG mm	Base code	Type thermocouple	Element N° and limits	Hot junction	Sheath material	Sheath LG mm	Type of thread	Extension LE mm	Lc wire length m	Type of termination	
SS 0 200°C max	6	K1 F60	K NiCr - Ni DIN-IEC 800° C max	0 Single Cl. 2 (standard)	0 	C Inconel 600 (K only)	0250	S None	05 50	10 1	P Terminals ø 1.4 - 1.8 max	
SS 0/SP - Zn 200°C max	6	K1 N60										
SS 0/SP - Inox 200°C max	6	K1 Q60	J Fe - CuNi IEC/500°C max	1 Dual Cl. 2 (standard)	1 	B AISI 316	0150			05 0.5	S Insul. and tinned leads	
SS 0 200°C max	8	K1 F80	L Fe - CuNi DIN/500°C max	2 Single Cl. 1 (special)			0200			15 1.5	F Faston 6.35	
SS 0/SP - Zn 200°C max	8	K1 N80					3 Dual Cl. 1 (special)	0300				20 2
SS 0/SP - Inox 200°C max	8	K1 Q80						0350				25 2.5
							0400			30 3		
							0450			35 3.5		
							0500			40 4		
										45 4.5		
										50 5		
							L min 0100			00 10		

Note: other lengths on request for LG, LE and Lc. Code ex.: LG = 135mm cod. 0135 / LE = 60mm cod. 06 / Lc = 7m cod. 70

Reference model:

Straight/reinforced Mgo thermocouple with SS 0/SP wire, 6 mm sheath o.d., NiCr-Ni DIN, class 2 single element, ungrounded element plain end, INCONEL 600 sheath, 250mm length, no attaching device, 50mm extended length, 1m wire and 1.8mm ø terminals.

K1 Q60 - K 0 0 - C 0250 - S 05 - 10 P

