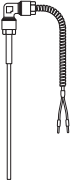




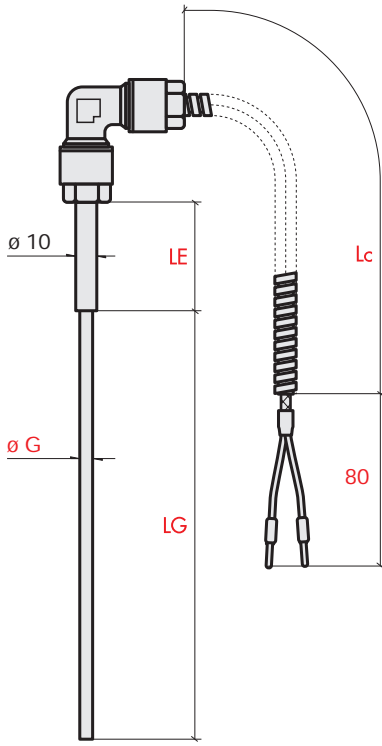
Certificata ISO 9002  
Centro taratura SIT **JTC**

ELSI s.r.l. - via Milano, 11 - 20020 Lainate (MI)  
Tel.: (02) 9370868 / 9373042 - Fax: (02) 9371724  
Home page: www.elsi.it • e-mail: info@elsi.it

# RINA approved sensors for naval pur.

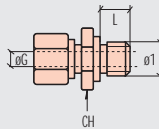


**K2** 90°  
bended/reinforced  
Mgo thermocouple,  
6 and 8mm diam.,  
with extension cable



### Mounting Fittings

Bayonet assembly sizes



Material	ø1	L	CH	øG	Model
AISI 316	1/4"G	12	17	6	Z1 RFS-B/F060
	1/2"G	14	24	6	Z1 RFS-B/I060
	1/4"G	12	17	8	Z1 RFS-B/F080
	1/2"G	14	24	8	Z1 RFS-B/I080
Treated brass	1/4"G	12	17	6	Z1 RFS-O/F060
	1/2"G	14	24	6	Z1 RFS-O/I060
	1/4"G	12	17	8	Z1 RFS-O/F080
	1/2"G	14	24	8	Z1 RFS-O/I080

Thermowells from bar stock

Thermowells format	Description	Base code
	Straight / screw	Z5 EF1

Type of wire	Diameter øG mm	Base code	Thermocouple type	Element N° and limits	Hot junction	Sheath material	Sheath LG mm	Type of thread	Extension LE mm	Lc wire length m	Type of termination								
SS 0 200°C max	6	K2 F60	K NiCr - Ni DIN-IEC 800°C max	0 Single Cl. 2 (standard)	0 	C Inconel 600 (K only)	0250	S None	05 50	10 1	P  Terminals ø 1.4 - 1.8 max								
SS 0/SP - Zn 200°C max	6	K2 N60																	
SS 0/SP - Inox 200°C max	6	K2 Q60	J Fe - CuNi IEC/500°C max	1 Dual Cl. 2 (standard)	1 	B AISI 316	0150			05 0.5	S  Insul. and tinned leads								
SS 0 200°C max	8	K2 F80	L Fe - CuNi DIN/500°C max	2 Single Cl. 1 (special)								0200				15 1.5	F  Faston 6.35		
SS 0/SP - Zn 200°C max	8	K2 N80										3 Dual Cl. 1 (special)	0300						20 2
SS 0/SP - Inox 200°C max	8	K2 Q80											0350						25 2.5
												0400				30 3			
												0450				35 3.5			
												0500				40 4			
																45 4.5			
																50 5			
												L min 0100				00 10			

Note: other lengths on request for LG, LE and Lc. Code ex.: LG = 135mm cod. 0135 / LE = 60mm cod. 06 / Lc = 7m cod. 70

### Reference model:

90° bended/spring-loaded Mgo RTD with St.St. SS 0/SP wire, 6 mm sheath o.d., NiCr - Ni DIN, class 2 single element, ungrounded element plain end, Inconel 600 sheath, 250mm length, no attaching device, 250mm extended length, 1m wire and 1.8mm terminals.

**K2 Q60 - K 0 0 - C 0250 - S 05 - 10 P**

□ - □ □ □ - □ □ □ - □ □ □ - □ □ □