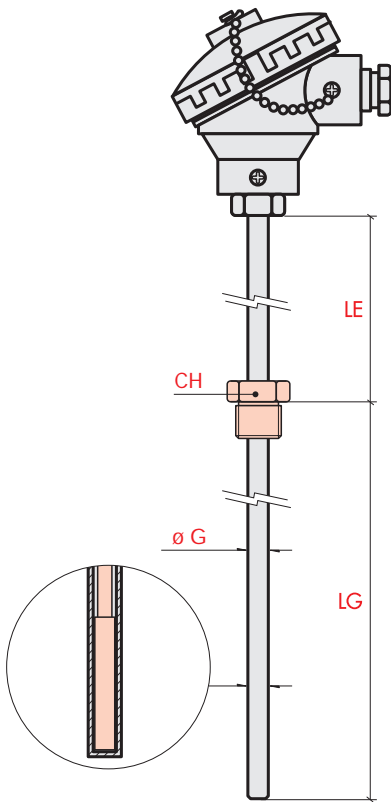




Certificata ISO 9002  
Centro taratura SIT **JTC**

ELSI s.r.l. - via Milano, 11 - 20020 Lainate (MI)  
Tel.: (02) 9370868 / 9373042 - Fax: (02) 9371724  
Home page: www.elsi.it • e-mail: info@elsi.it

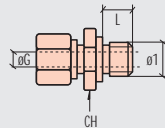


Electrical connection



Mounting Fittings

Suggested adjustable compression fittings



Material	ø1	L	CH	øG	Model
AISI 316	1/2" G	14	24	10	Z1 RFS-B/I100
	1/2" NPT	19	22	10	Z1 RFS-B/Q100
	1/2" G	14	24	13.5	Z1 RFS-B/I135
	1/2" NPT	19	22	13.5	Z1 RFS-B/Q135

Thermowells

Thermowells format	Description	Base code
	Straight / screw	Z5 EFi

**RINA**  
approved sensors  
for naval pur.

**K3** Straight thermocouple with MgO replaceable insertion, 10 and 13.5mm diam., with connection head

Compatible connection heads	Diameter* ø G mm	Base code	Thermocouple type	Element N° and limits	Hot junction	Sheath material	Sheath LG mm	Type of thread	Extension LE mm		
 Standard IP67	10	K3 S10	<b>K</b> NiCr - Ni DIN - IEC 800°C max	<b>0</b> Single Cl. 2 (standard)	 Insulated	<b>B</b> AISI 316	<b>0250</b>	<b>I</b> 1/2" Gas - L15 CH - 24	12 120		
	13.5	K3 S13							05 50		
 EEx d IIB IP65	10	K3 X10	<b>J</b> Fe - CuNi IEC/500°C max  <b>L</b> Fe - CuNi DIN/500°C max	<b>1</b> Dual Cl. 2 (standard)	 Grounded	<b>B</b> AISI 316	<b>0150</b>	<b>Q</b> 1/2" NPT - L15 CH - 24	08 80		
	13.5	K3 X13							0300	10 100	
										0350	
										0400	
										0450	
			0500								
							L min 0100				

Note:

- \* ø G = 10, insertion ø 6
- ø G = 13.5, insertion ø 8

Reference model:

Straight thermocouple with MgO insertion, standard head, 10mm sheath o.d., NiCr-Ni DIN, class 2 single element, ungrounded element plain end, AISI316 sheath, 250mm length, 1/2" Gas fixed attaching device, 120mm extension.

Note: other lengths on request for LG, and LE. Code ex.: LG = 135mm cod. 0135 / LE = 60mm cod. 06

**K3 S10 - K 0 0 - B 0250 - I 12**

□ - □ □ □ - □ □ □ - □ □ □

