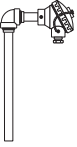




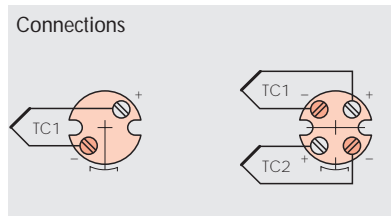
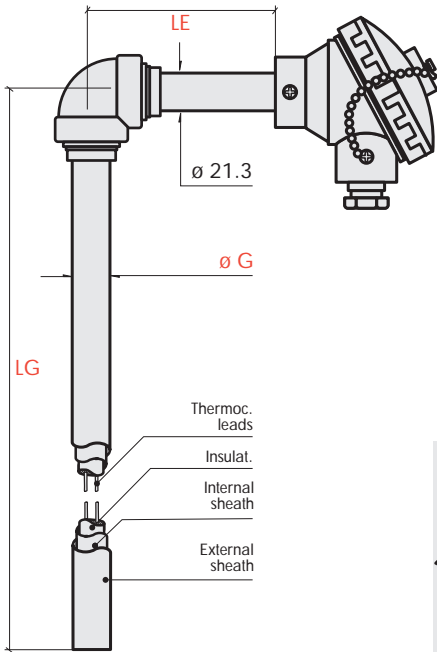
Certificata ISO 9002
Centro taratura SIT **JTC**

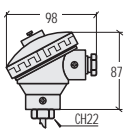

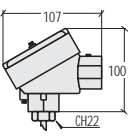
ELSI s.r.l. - via Milano, 11 - 20020 Lainate (MI)
Tel.: (02) 9370868 / 9373042 - Fax: (02) 9371724
Home page: www.elsi.it • e-mail: info@elsi.it

High temperature sensors



M4 90° bended thermocouple for salt baths and metal foundings, 15 to 33mm o.d., with connection head.



Connection head	Diameter ø G mm	Base code	Thermocouple type	Element N° and limits	Hot junction	Sheath material	Sheath LG mm	Internal sheath	Type of thread	Extension LE mm
Standard IP67 	15	M4 S15	K NiCr - Ni IEC/800°C max	0 Single Cl. 2 (standard)	 Insulated	B AISI 316	0300	0 None	S None	30 300
	21,3	M4 S21								
	26	M4 S26								
EEx d IIB IP65 	26	M4 S26	J Fe - CuNi IEC/600°C max	1 Dual Cl. 2 (std)		D AISI 310	0350	1 DIN 610		20 200
	33	M4 S33								
	15	M4 X15	L Fe - CuNi DIN/600°C max	2 Single Cl. 1 (special)		ET AISI 446 21,3 only	0400	2 DIN 710		40 400
	21,3	M4 X21								
	26	M4 X26		3 Dual Cl. 2 (special)		F AISI 304	0450	5 En MgO (K only) (Inconel 600)		50 500
	33	M4 X33								
						0600			99 1000	
						0700				
						1000				
						1200				
						L min 0200				

Note: other lengths on request for LG and LE. Code ex.: LG = 135mm cod. 0135 / LE = 60mm cod. 06

Reference model:

90° bended thermocouple, standard head, 21.3mm sheath o.d., single elem., class 2 acc., ungrounded junction, AISI 316 sheath, 300mm length, no inside sheath, 300mm extension.

M4 S21 - K 0 0 - B 0300 . 0 - S 30

□ - □ □ □ - □ □ □ . □ - □ □ □

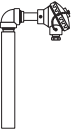




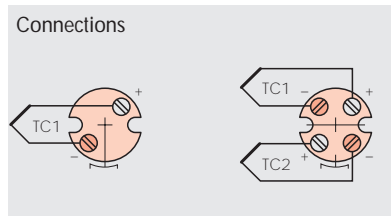
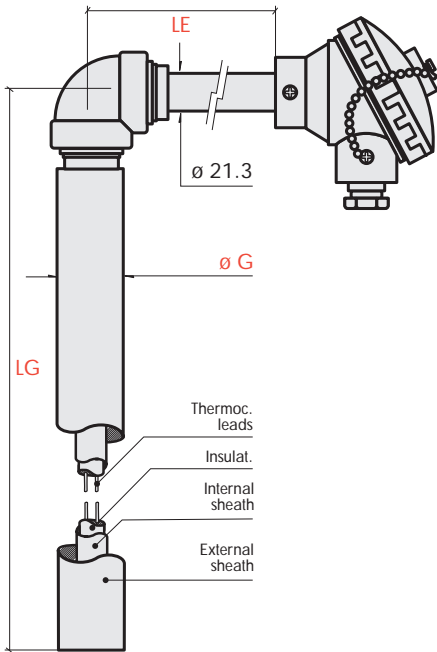
Certificata ISO 9002
Centro taratura SIT **JTC**

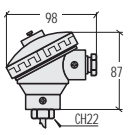
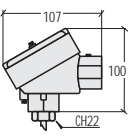
ELSI s.r.l. - via Milano, 11 - 20020 Lainate (MI)
Tel.: (02) 9370868 / 9373042 - Fax: (02) 9371724
Home page: www.elsi.it • e-mail: info@elsi.it

High temperature sensors



M5 90° bended thermocouple for salt baths and metal foundings, 32mm to 40mm o.d., with connection head



Connection head	Diameter ø G mm	Base code	Thermocouple type	Element N° and limits	Hot junction	Thermowell material	Thermowells LG mm	Sheath interne	Type of thread	Extension LE mm
Standard IP67 	32	M5 S32	K NiCr - Ni DIN - IEC/800°C max	0 Single Cl. 2 (standard)	0 Insulated	P Armco iron	0300	0 None	S None	30 300
	35	M5 S35								
	40	M5 S40	S Pt Rh 10% Pt DIN - IEC/800°C max	1 Dual Cl. 2 (std)		Q Pearlitic iron	0350	1 DIN 610		40 400
	00 None	M5 S00	R Pt Rh 13% Pt DIN - IEC/800°C max	2 Single Cl. 1 (special)		O Graphite	0400	2 DIN 710		
EEx d IIB IP65 	32	M5 X32		3 Dual Cl. 2 (special)		S None	0450	5 En MgO (K only) (Inconel 600)		99 1000
	35	M5 X35					0500			
	40	M5 X40					0600			
	00 None	M5 X00					0700 1000			
							L min 0200			

Note: other lengths on request for LG and LE. Code ex.: LG = 135mm cod. 0135 / LE = 60mm cod. 06

Reference model:

90° bended thermocouple, standard head, 32mm ø thermowell machined from bar stock, NiCr-Ni, single elem., class 2 acc., ungrounded junction, armco iron thermowell material, 30mm length, no internal sheath, 300mm extension.

M5 S32 - K 0 0 - P 0300 . 0 - S 30

□ - □ □ □ - □ □ □ . □ - □ □ □

