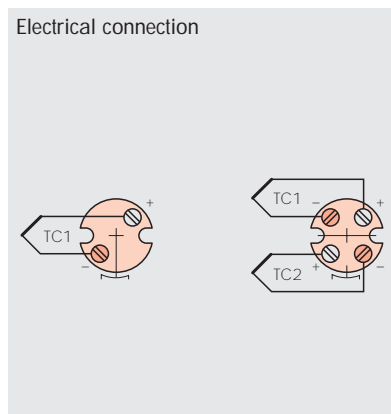
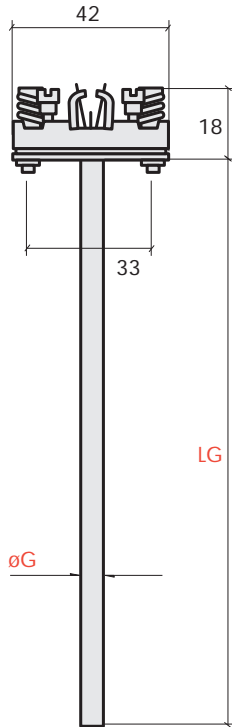


MgO spring-loaded replaceable insertion



R9 Straight thermoc.,
6 and 8 mm \varnothing
(for **S** series sensors,
as well)



Compatible connection heads	Diameter \varnothing G mm	Base code	Thermocouple type	Element N° and limits	Hot junction	Clamp material	Sheath LG mm
Standard IP67, optional Transmitter * 	6	R9 O60	L Fe - CuNi DIN/600°C max	0 Single Cl. 2 (standard)	 Insulated	A AISI 321	0100
	8	R9 O80					
	6 + T	R9 T60					
	8 + T	R9 T80					
EEx d IIB IP65, optional Transmitter * 			J Fe - CuNi IEC/600°C max	1 Dual Cl. 2 (standard)	 Grounded	C Inconel 600 (K and N only)	0150
			U Cu - CuNi DIN/-200 +300°C	2 Single Cl. 1 (special)			0200
			T Cu - CuNi IEC/-200 +300°C	3 Dual Cl. 2 (special)			0250
			K NiCr - Ni DIN- IEC/1050°C max				0300
			E NiCr - CuNi IEC/700°C max				0350
			N NiCrSi - NiSiMg IEC/1050°C max				0400
							0450
							0500
							L min 0050

Note:
* Transmitter for single element only

Note: other lengths on request for LG. Code ex.: LG = 135mm cod. 0135

Reference model :

Straight-insertion thermocouple, 6mm sheath o.d.,
3Fe-CuNi DIN, class 2 single element, ungrounded
element plain end, AISI 321 sheath, 100mm length,
MgO insulation.

R9 O60 - L 0 0 - A 0100

- -