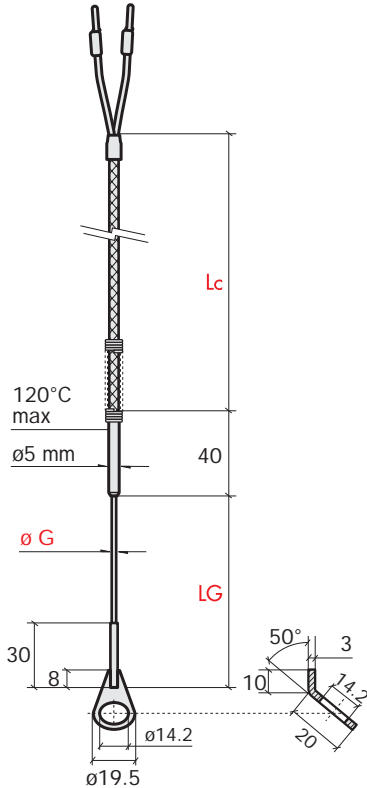


MgO sensors for explosion engines

U1 Spark plug
thermocouple,
from 1 to 2mm o.d.,
with extension wire



| Type of wire | Diam. øG mm | Base code | Thermocouple type | Element N. and tolerance | Hot junction | Sheath material | Sheath LG mm | Wire length Lc m | Termination type |
|---|-------------|-----------|--------------------------------|------------------------------|--------------|-------------------------------|--------------|------------------|------------------------------|
| EEs - stn 300°C max PP O 100°C max TS O | 2 | U1 A20 | L Fe - CuNi DIN | 0 Single Cl. 2 (standard) | 0 Unground. | A AISI 321 | 0100 | 10 1 | P Terminals ø 1.4 - 1.8 max |
| 200°C max TS T | 2 | U1 D20 | J Fe - CuNi IEC | 2 Single Cl. 1 (special) | 1 Grounded | C Inconel 600 (K - N only) | 0150 | 05 0.5 | S Insul. and tinned leads |
| 220°C max SS O | 2 | U1 G20 | K NiCr - Ni DIN - IEC | | | | 0200 | 15 1.5 | |
| 200°C max SS O | 2 | U1 F20 | E NiCr - CuNi DIN - IEC | | | | 0250 | 20 2 | F Faston 6.35 |
| 200°C max SS O | 2 | U1 F20 | N NiCrSi - NiSiMg DIN - IEC | | | | 0300 | 25 2.5 | D Miniature plug |
| | | | | | | | 0350 | 30 3 | |
| | | | | | | | 0400 | 35 3.5 | G Standard plug |
| | | | | | | | 0450 | 40 4 | |
| | | | | | | | 0500 | 45 4.5 | J ø 17 cylindric plug |
| | | | | | | | | 50 5 | |
| | | | | | | | | 00 10 | R ø 12 cylindric plug |
| EEs - stn 300°C max PP O 100°C max TS O | 1 | U1 A20 | | | | | | | |
| 200°C max TS T | 1 | U1 D20 | | | | | | | |
| 220°C max SS O | 1 | U1 G20 | | | | | | | |
| 200°C max SS O | 1 | U1 F20 | | | | | | | |
| EEs - stn 300°C max PP O 100°C max TS O | 1.5 | U1 A20 | | | | | | | |
| 200°C max TS T | 1.5 | U1 D20 | | | | | | | |
| 220°C max SS O | 1.5 | U1 G20 | | | | | | | |
| 200°C max SS O | 1.5 | U1 F20 | | | | | | | |

Note: Other LG, Lc and Lc lengths upon request. Code ex.: LG = 135mm cod. 0135 / Lc = 7m cod. 70

Reference model:

Spark plug MgO thermocouple with tinned EEs wire, 2mm ø sheath, Fe-CuNi DIN, class 2 single element, ungrounded junction, AISI 321 sheath, 100mm length, with under spark plug copper washer, 1m ext.wire and 1.8mm ø terminals.

U1 A20 - L 0 0 - A 0100 - 10 P

- - -