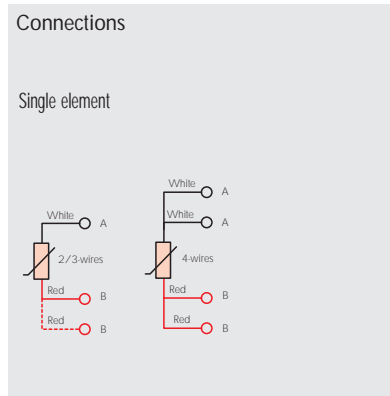
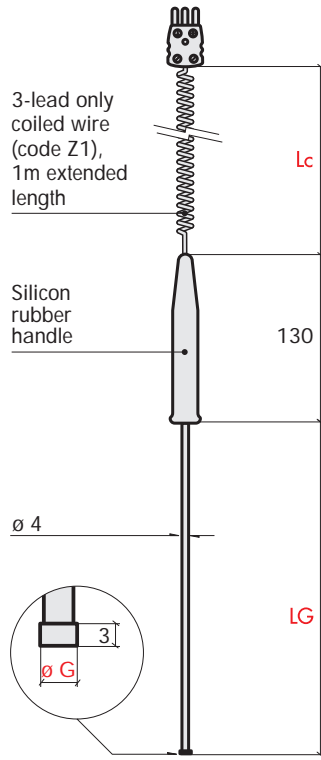


# Probes for hand-held thermometers

**BO** Straight contact RTD for surface measurement,  $\varnothing$  4.9 mm



Type of wire	Diam. $\varnothing$ G mm	Base code	Value in [ohm] at 0°C	Element N° and limits	Type of RTD	Sheath material	Sheath LG mm	Lc wire length m	Type of termination
Coiled PVC 105°C max	4.9	BO Z49	P Pt100 DIN - IEC	O 3-wire single el. Cl. B(1 DIN)	O Ceramic 750 °C max	B AISI 316	O300	Z1 coiled m 1 max	D
TS O 200°C max	4.9	BO D49							D Miniature plug
TS S 200°C max	4.9	BO P49		1 3-wire single el. Cl. A (1/2 DIN)			05 0.5	G	
				2 3-wire single el. 1/3 DIN			15 1.5	G Standard plug	
				3 4-wire single el. Cl. A (1/2 DIN)			20 2	J	
				4 4-wire single el. 1/3 DIN			25 2.5	J Cylindrical plug $\varnothing$ 17	
							30 3	R	
							35 3.5	R Male $\varnothing$ 12 cylindric plug	
							40 4		
							45 4.5		
							50 5		
							L min O100		

Note: other lengths on request for LG and Lc. Code ex.: LG = 635mm Code 0635 / Lc = 7m Code 70

Reference model:

Straight surface RTD with PVC wire - 4.9  $\varnothing$  pad, 3-wire Pt100 single element, class B (1 DIN), ceramic element, AISI 316 sheath, 300mm length, 1m coiled wire (max) and miniature plug.

**BO Z49 - P 0 0 - B 0300 - Z1 D**

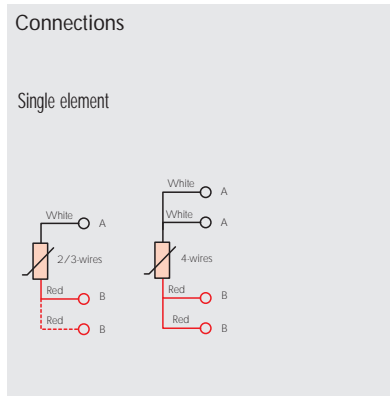
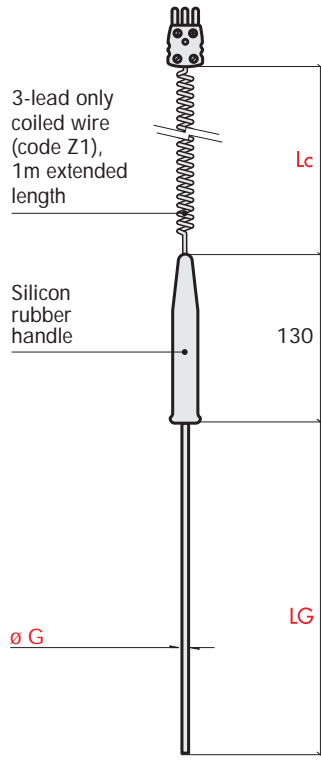
-    -   -

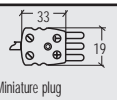
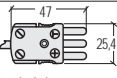
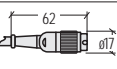
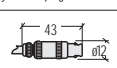




# Probes for hand-held thermometers

**BO** Immersion straight  
Mgo RTD,  
ø 3 and 4.5mm



Type of wire	Diam. øG mm	Base code	Value in [ohm] at 0°C	Element N° and limits	Type of RTD	Sheath material	Sheath LG mm	Lc wire length m	Type of termination		
Coiled PVC 105°C max	3	BO Z30	P Pt100 DIN - IEC	O 3-wire single el. Cl. B (1 DIN)	O Ceramic 750 °C max	B AISI 316	O300	Z1 coiled m 1 max	D  Miniature plug		
TS O 200°C max	3	BO D30									
Ts S 200°C max	3	BO P30									
Coiled PVC 105°C max	4.5	BO Z45		1 3-wire single el. Cl. A (1/2 DIN)			O200	G  Standard plug			
TS O 200°C max	4.5	BO D45						2 3-wire single el. 1/3 DIN	O250	15 1.5	J  Cylindrical plug ø 17
Ts S 200°C max	4.5	BO P45						3 4-wire single el. Cl. A (1/2 DIN)	O350	20 2	R  Male ø 12 cylindric plug
								4 4-wire single el. 1/3 DIN	O400	25 2.5	
									O450	30 3	
									O500	35 3.5	
										40 4	
										45 4.5	
										50 5	
										L min O100	

Note: other lengths on request for LG and Lc. Code ex.: LG = 635mm Code 0635 / Lc = 7m Code 70

**Reference model:**

Straight RTD with PVC wire - 4.5 diam.sheath, 3-wire single element, class B (1 DIN), ceramic element, AISI 316 sheath, 300mm length, 1m coiled wire (max) and miniature plug.

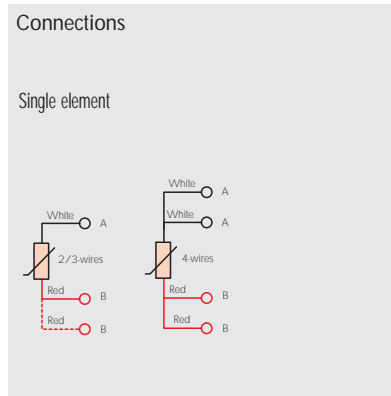
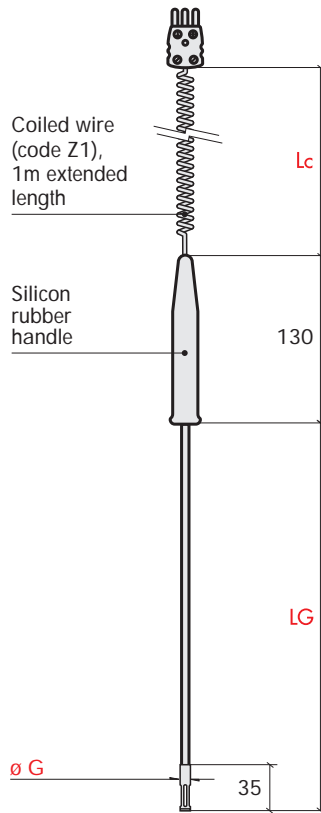
**BO Z45 - P 0 0 - B 0300 - Z1 D**

□ - □ □ □ - □ □ □ - □ □ □



## Probes for hand-held thermometers

**BO** Straight drilled RTD, fast response time for aerothermic detections



Type of wire	Diam. øG mm	Base code	Value in [ohm] at 0°C	Element N° and limits	Type of RTD	Sheath material	Sheath LG mm	Lc wire length m	Type of termination
Coiled PVC 105°C max	5	BO Z50	P Pt100 DIN - IEC	0 3-wire single el. Cl. B (1 DIN)	1 Thin film 250 °C max	B AISI 316	0300	Z1 Coiled m 1 max	D  Miniature plug
TS O 200°C max	5	BO D50							
TS S 200°C max	5	BO P50		1 3-wire single el. Cl. A (1/2 DIN)			0150	05 0.5	G  Standard plug
				2 3-wire single el. 1/3 DIN			0200	15 1.5	J  Cylindrical plug ø 17
				3 4-wire single el. Cl. A (1/2 DIN)			0250	20 2	R  Male ø 12 cylindric plug
				4 4-wire single el. 1/3 DIN			0350	25 2.5	
							0400	30 3	
							0450	35 3.5	
							0500	40 4	
								45 4.5	
								50 5	
							L min 0100		

Note: other lengths on request for LG and Lc. Code ex.: LG = 635mm Code 0635 / Lc = 7m Code 70

Reference model:

Straight drilled RTD with PVC wire - 5 diam. sheath, 3-wire Pt100 single element, class B (1 DIN), thin film element, AISI 316 sheath, 300mm length, 1m coiled wire (max) and miniature plug.

**BO Z50 - P 0 1 - B 0300 - Z1 D**

-    -   -

