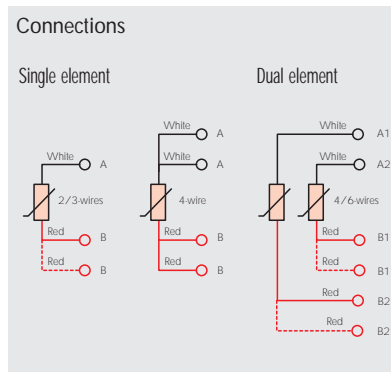
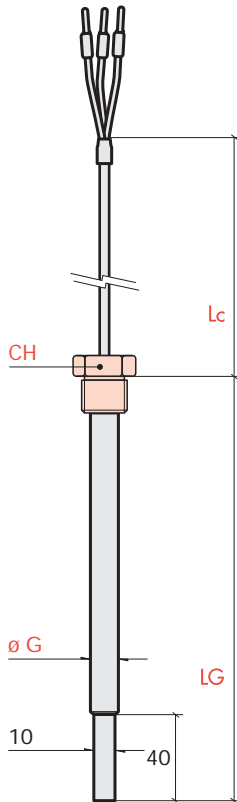


Probes for detecting in acid solutions

B3 Straight/tapered RTD, 13mm diam., extension wire and fixed screw fitting



Type of wire	Diam. øG mm	Base code	Value in [ohm] at 0°C	Element N° and limits	Type of RTD	Sheath material	Sheath LG mm	Type of thread	Lc wire length m	Type of termination
PP O 100°C max	13	B3 C13	P Pt100 DIN - IEC	0 3-wire single el. Cl. B (1 DIN)	0 Ceramic 750 °C max	X PVC	O100	H 3/8" Gas L15 CH - 22	10 1	P Terminals ø 1.4 - 1.8 max
TS O 200°C max	13	B3 D13								
TS T 220°C max	13	B3 G13								
			X Pt500 DIN - IEC	1 3-wire single el. Cl. A (1/2 DIN)	1 Thin film 250 °C max	W Teflon	O150	I 1/2" Gas L14 CH - 24	05 0.5	S Insul. and tinned leads
			Y Pt1000 DIN - IEC	2 3-wire single el. 1/3 DIN			O200		15 1.5	
			Z Ni100 DIN - IEC	3 4-wire single el. Cl. A (1/2 DIN)			O250		20 2	F Faston 6.35
				4 4-wire single el. 1/3 DIN			O300		25 2.5	
				5 4-wire dual Cl. B (1 DIN)			O350		30 3	D Miniature plug
				6 6-wire dual el. Cl. B (1 DIN)			O450		35 3.5	G Standard plug
				7 6-wire dual el. Cl. A (1/2 DIN)			O500		40 4	J Cylindrical plug ø 17
				8 6-wire dual el. 1/3 DIN					45 4.5	
									50 5	
							L min O080		00 10	R Male ø 12 cylindrical plug

Note: other lengths on request for LG and Lc. Code ex.: LG = 135mm Code 0135 / Lc = 7m Code 70

Reference model:

Straight/tapered RTD with TS O wire, 13mm diam. sheath, 3-wire Pt100 single elem., class B (1 DIN), ceramic element, PVC sheath, 100mm length, 3/8" Gas attaching device, 1m wire and ø 1.8mm terminals.

B3 D13 - P 0 0 - X 0100 - H - 10 P

- - - -