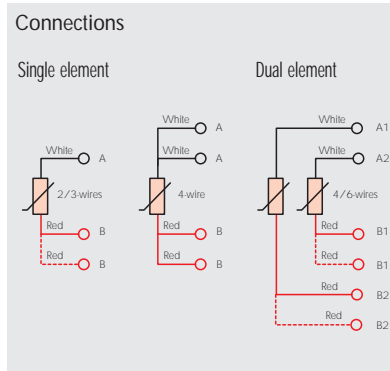
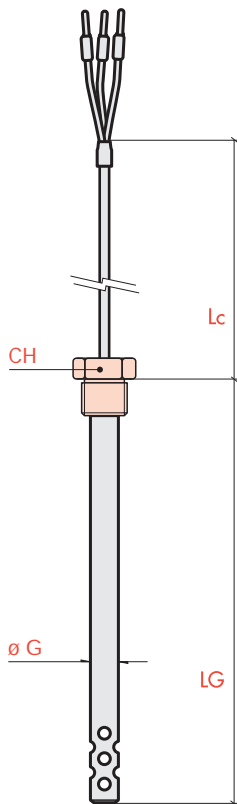


Probes for detecting in acid solutions

B4 Straight/drilled RTD, 13mm diam., exposed protected element, extension wire, fixed attaching device.



Type of wire	Diam. øG mm	Base code	Value in [ohm] at 0°C	Element N° and limits	Type of RTD	Sheath material	Sheath LG mm	Type of thread	Lc wire length m	Type of termination
PP 0 100°C max	13	B4 C13	P Pt100 DIN - IEC	0 3-wire single el. Cl. B (1 DIN)	3 Sealed 250 °C max	X PVC	O100	H 3/8" Gas L15 CH - 22	10 1	P
TS 0 200°C max	13	B4 D13								
TS T 220°C max	13	B4 G13								
			X Pt500 DIN - IEC	1 3-wire single el. Cl. A (1/2 DIN)	2 Glass 400 °C max	W Teflon	O150	I 1/2" Gas L14 CH - 24	05 0.5	S
			Y Pt1000 DIN - IEC	2 3-wire single el. 1/3 DIN			O200		15 1.5	
				3 4-wire single el. Cl. A (1/2 DIN)			O250		20 2	F
				4 4-wire single el. 1/3 DIN			O300		25 2.5	
				5 4-wire dual Cl. B (1 DIN)			O350		30 3	D
				6 6-wire dual el. Cl. B (1 DIN)			O450		35 3.5	G
				7 6-wire dual el. Cl. A (1/2 DIN)			O500		40 4	J
				8 6-wire dual el. 1/3 DIN					45 4.5	
									50 5	
							L min O080		00 10	R

Note: other lengths on request for LG and Lc. Code ex.: LG = 135mm Code 0135 / Lc = 7m Code 70

Reference model:

Straight/drilled RTD with TS 0 wire, ø 13 sheath, Pt100 3-wire single elem., class B (1 DIN), exposed protected element, PVC sheath, 100mm length, 3/8" Gas attaching device, 1m wire and 1.8 diam. terminals.

B4 D13 - P 0 0 - X 0100 - H - 10 P

□ - □ □ □ - □ □ □ - □ - □ □ □