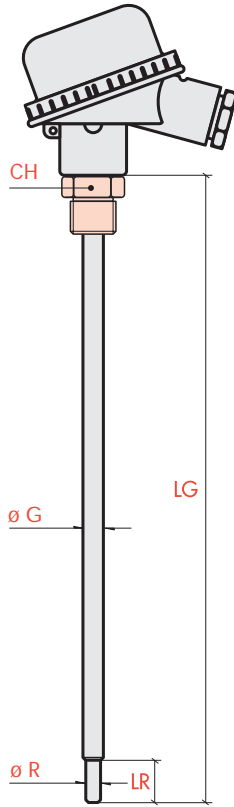




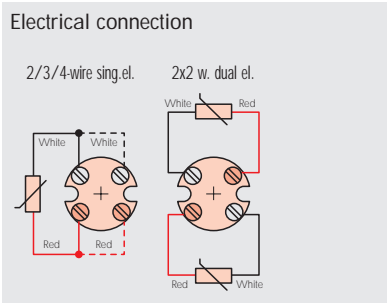
Certificata ISO 9002  
Centro taratura SIT **JTC**

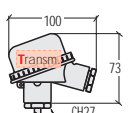
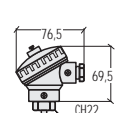
ELSI s.r.l. - via Milano, 11 - 20020 Lainate (MI)  
Tel.: (02) 9370868 / 9373042 - Fax: (02) 9371724  
Home page: www.elsi.it • e-mail: info@elsi.it

## Probes for detecting in acid solutions



**B5** Straight/tapered RTD, 10mm diam., connection head, with optional fixed attaching device



Connection head	Diam. ø G mm	Base code	Value in [ohm] at 0°C	Element N° and limits	Type of RTD	Sheath material	Sheath LG mm	Tapering øR x LR mm	Type of thread	
Nylon IP65, optional transmitter * 	10	B5 N10	P Pt100 DIN - IEC	0 3-wire single el. Cl. B (1 DIN)	0 Ceramic 750 °C max	Y PVDF	0500	9 7 x 20	I 1/2" Gas - L15 CH - 24	
	10 + T	B5 Y10	X Pt500 DIN - IEC	1 3-wire single el. Cl. A (1/2 DIN)	1 Thin film 250 °C max	W Teflon	0150		H 3/8" Gas - L15 CH - 22	
Miniat. IP67 	10	B5 M10	Y Pt1000 DIN - IEC	2 3-wire single el. 1/3 DIN		X PVC	0200		S Without	
	13	B5 M13	Z Ni100 DIN - IEC	3 4-wire single el. Cl. A (1/2 DIN)			0250			
				4 4-wire single el. 1/3 DIN			0300			
				5 4-wire dual Cl. B (1 DIN)			0350			
							0400			
					0450					
						L min 0100				

Note: \* Transmitter for single element only

Note: other lengths on request for LG. Code ex.: LG = 135mm Code 0135

**Reference model:**

Straight/tapered RTD, nylon head, 10mm diam. sheath, Pt100 3-wire single el., class B (1 DIN), ceramic element, PVDF sheath, 500 mm length, D7 x 20 tapering, 1/2" Gas screw attaching device.

**B5 N10 - P 0 0 - Y 0500 . 9 - I**

□ - □ □ □ - □ □ □ . □ - □