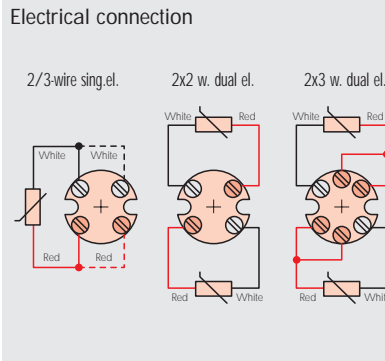
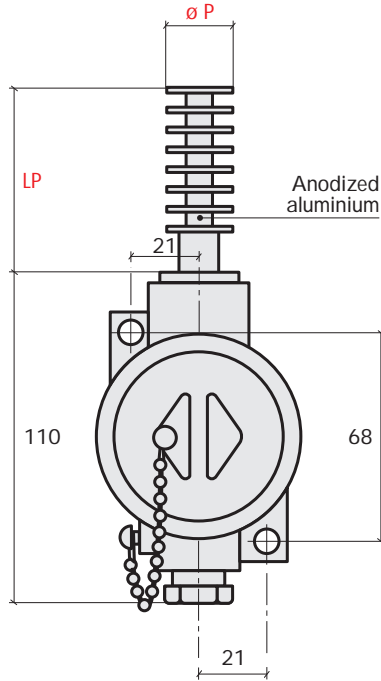




**EO** Finned end fast response RTD,  
wall mounting connection case,  
IP65 protection



Connection case	Diameter $\varnothing P$ mm	Base code	Value in [ohm] at 0°C	Element N° and limits	Type of RTD	Tip material	Tip LP mm
Painted aluminium IP65 case, optional transmitter *	20	EO P20	P Pt100 DIN - IEC	0 3-wire single el. Cl. B (1 DIN)	1 Thin film 250 °C max	Z Aluminium	0060
	20 + T	EO Q20					
ABS IP65 case (0...70°C)	20	EO R20		1 3-wire single el. Cl. A (1/2 DIN)			
				2 3-wire single el. 1/3 DIN			
				5 4-wire dual Cl. B (1 DIN)			
				6 6-wire dual el. Cl. B (1 DIN)			
				7 6-wire dual el. Cl. A (1/2 DIN)			
							Fixed

Note:  
\* Transmitter for single element only

EO P20 - P 0 1 - Z 0060

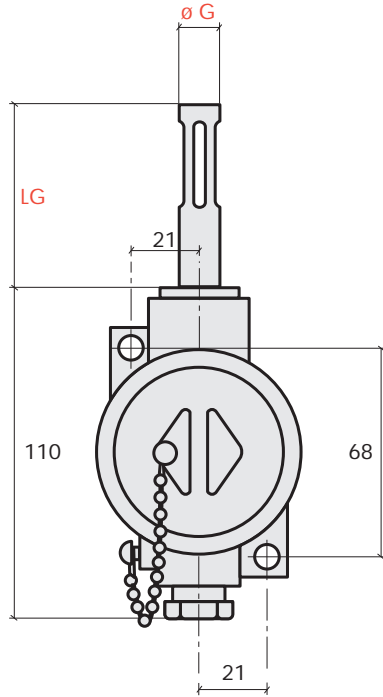
Reference model:  
Finned RTD, wall-mounting conn. case, 3-wire Pt100 single elem., class B (1 DIN), thin film element, 20mm o.d. anodized aluminium tip, 60mm length.

-    -

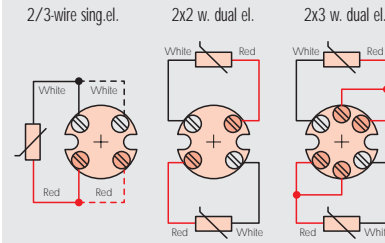




**E5** Fast response RTD  
with drilled tip  
and wall-mounting  
connection case



### Electrical connection



Connection case	Diameter ø G mm	Base code	Value in [ohm] at 0°C	Element N° and limits	Type of RTD	Sheath material	Sheath LG mm
Painted aluminium IP65 case, optional transmitter *	10	E5 P10	P Pt100 DIN - IEC	0 3-wire single el. Cl. B (1 DIN)	3 Sealed 250 °C max	B AISI 316	0060
	10 + T	E5 Q10					
ABS IP65 case (0...70°C)	10	E5 R10		1 3-wire single el. Cl. A (1/2 DIN)			
				2 3-wire single el. 1/3 DIN			
				5 4-wire dual Cl. B (1 DIN)			
				6 6-wire dual el. Cl. B (1 DIN)			
				7 6-wire dual el. Cl. A (1/2 DIN)			
							Fixed

Note:  
\* Transmitter for single element only

**E5 P10 - P 0 3 - B 0060**

Reference model:  
Drilled RTD, wall-mounting case, 10mm o.d. AISI 316 sheath, 3-wire Pt100 single element, class B (1DIN), sealed element, 60mm length.

-    -

