



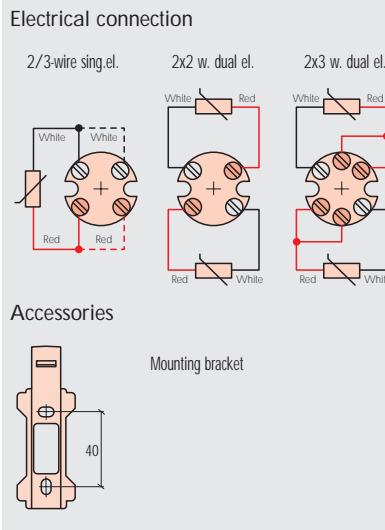
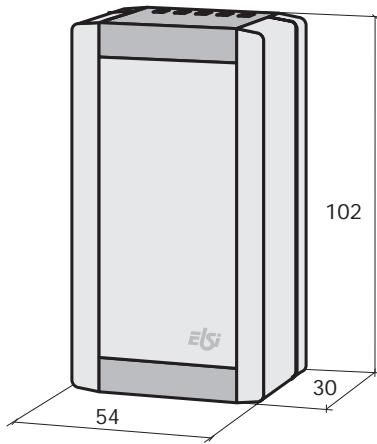
Certificata ISO 9002  
Centro taratura SIT **JTC**

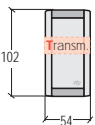
ELSI s.r.l. - via Milano, 11 - 20020 Lainate (MI)  
Tel.: (02) 9370868 / 9373042 - Fax: (02) 9371724  
Home page: www.elsi.it • e-mail: info@elsi.it

## Sensors for aerother. detect.



**E6** Wall-mounting fast response RTD for industrial purposes



Connection case	Base code	Value in [ohm] at 0°C	Element N° and limits	Type of RTD
Polystyrene UL 94 HB IP40 case (-10...70°C), optional transmitter* 	E6 W30	P Pt100 DIN - IEC	0 3-wire single el. Cl. B (1 DIN)	1 Thin film 250 °C max
	E6 F30	X Pt500 DIN - IEC	1 3-wire single el. Cl. A (1/2 DIN)	
		Y Pt1000 DIN - IEC	2 3-wire single el. 1/3 DIN	
			5 4-wire dual Cl. B (1 DIN)	
			6 6-wire dual el. Cl. B (1 DIN)	
			7 6-wire dual el. Cl. A (1/2 DIN)	

Note:  
\* Transmitter for single element only

**E6 W30 - P 0 1**

Reference model:  
Drilled/ventilated RTD, civil environment case, 3-wire Pt100  
single elem., class B (1 DIN), case-sealed element, 102mm  
length, wall-mounting.

