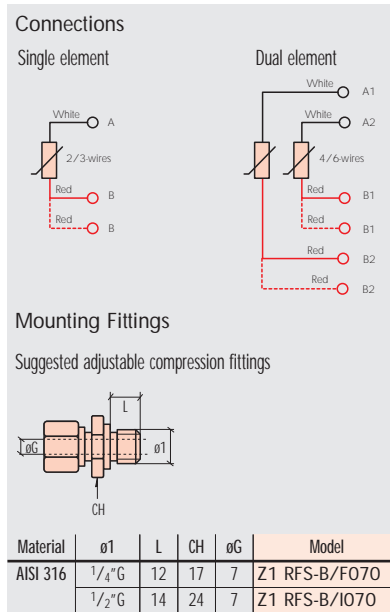
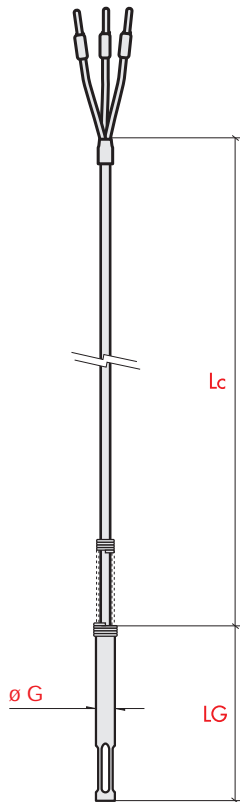


Sensors for aerother. detect.

E1 Straight/drilled fast
response RTD,
7mm o.d.,
with extension wire



Type of wire	Diam. øG mm	Base code	Value in [ohm] at 0°C	Element N° and limits	Type of RTD	Sheath material	Sheath LG mm	Type of thread	Lc wire length m	Type of termination		
PP 0 100°C max	7	E1 C70	P Pt100 DIN - IEC	0 3-wire single el. Cl. B (1 DIN)	3 Sealed 250 °C max	B AISI 316	0080	S Without	10	1	P	
TS 0 200°C max	7	E1 D70								05	0.5	S
Ts T 220°C max	7	E1 G70	X Pt500 DIN - IEC	1	3-wire single el. Cl. A (1/2 DIN)	2 Glass 400 °C max				15	1.5	S
				Y Pt1000 DIN - IEC	6					6-wire dual el. Cl. B (1 DIN)	20	2
				7	6-wire dual el. Cl. A (1/2 DIN)					25	2.5	D
										30	3	D
										35	3.5	G
										40	4	G
										45	4.5	J
										50	5	J
										00	10	R

Note: other lengths on request for LG and Lc. Code ex.: LG = 135mm Code 0135 / Lc = 7m Code 70

Reference model:

Straight/drilled RTD with TS 0 wire, 7mm o.d. sheath, 3-wire Pt100 single element, class B (1 DIN), sealed element, AISI 316 sheath, 80mm length, no attaching device, 1m wire and 1.8 diam. terminals.

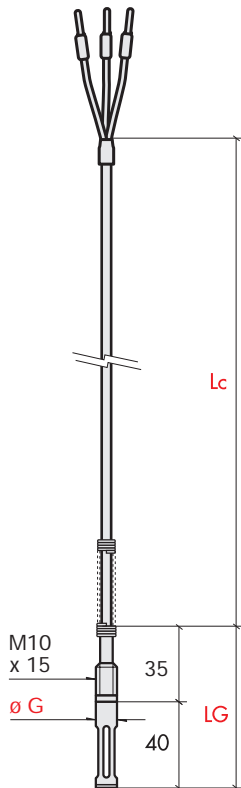
E1 D70 - P 0 3 - B 0080 - S - 10 P

□ - □ □ □ - □ □ □ - □ - □ □ □



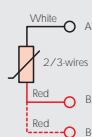
Sensors for aerother. detect.

E2 Straight/drilled fast response RTD, 10mm o.d. with connection wire and adjustable compression fitting

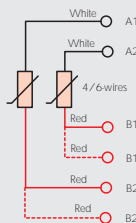


Connections

Single element



Dual element



Type of wire	Diam. øG mm	Base code	Value in [ohm] at 0°C	Element N° and limits	Type of RTD	Sheath material	Sheath LG mm	Type of thread	Lc wire length m	Type of termination
PP 0 100°C max	10	E2 C10	P Pt100 DIN - IEC	0 3-wire single el. Cl. B (1 DIN)	3 Sealed 250 °C max	B AISI 316	0075	D M10 L15	10 1	P Terminals ø 1.4 - 1.8 max
TS 0 200°C max	10	E2 D10								
TS T 220°C max	10	E2 G10								
			X Pt500 DIN - IEC	1 3-wire single el. Cl. A (1/2 DIN)	2 Glass 400 °C max				05 0.5	S Insul. and tinned leads
			Y Pt1000 DIN - IEC	2 3-wire single el. 1/3 DIN					15 1.5	
				3 4-wire single el. Cl. A (1/2 DIN)					20 2	F Faston 6.35
				4 4-wire single el. (1/3 DIN)					25 2.5	
				5 4-wire dual Cl. B (1 DIN)					30 3	D Miniature plug
				6 6-wire dual el. Cl. B (1 DIN)					35 3.5	G Standard plug
				7 6-wire dual el. (1/3 DIN)					40 4	
									45 4.5	J Cylindrical plug ø 17
									50 5	
									00 10	R Male ø 12 cylindric plug

Note: other lengths on request for LG and Lc. Code ex.: LG = 135mm Code 0135 / Lc = 7m Code 70

Reference model:

Straight/drilled RTD with TS 0 wire, 10mm o.d., 3-wire Pt100 single elem., class B (1 DIN), sealed element, AISI 316 sheath, 75mm length, M10 L15 attaching device, 1m wire and 1.8 diam. terminals.

E2 D10 - P 0 3 - B 0075 - D - 10 P

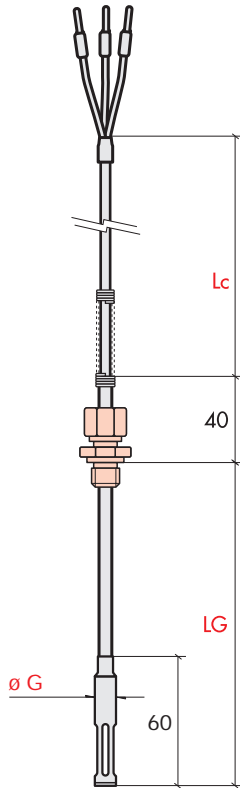
□ - □ □ □ - □ □ □ - □ - □ □ □



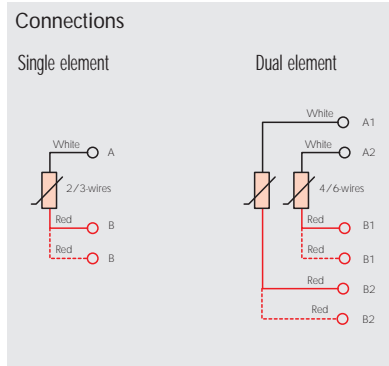
Certificata ISO 9002
Centro taratura SIT **JTC**

ELSI s.r.l. - via Milano, 11 - 20020 Lainate (MI)
Tel.: (02) 9370868 / 9373042 - Fax: (02) 9371724
Home page: www.elsi.it • e-mail: info@elsi.it

Sensors for aerother. detect.



E3 Straight/drilled fast response RTD, 10mm o.d. with connection wire and adjustable compression fitting



Type of wire	Diam. øG mm	Base code	Value in [ohm] at 0°C	Element N° and limits	Type of RTD	Sheath material	Sheath LG mm	Type of thread	Lc wire length m	Type of termination
PP O 100°C max	10	E3 C10	P Pt100 DIN - IEC	0 3-wire single el. Cl. B (1 DIN)	3 Sealed 250 °C max	B AISI 316	O150	F 1/4" Gas L15 CH - 17	10 1	P Terminals ø 1.4 - 1.8 max
TS O 200°C max	10	E3 D10								
TS T 220°C max	10	E3 G10								
			X Pt500 DIN - IEC	1 3-wire single el. Cl. A (1/2 DIN)	2 Glass 400 °C max		O200	I 1/2" Gas L14 CH - 24	05 0.5	S Insul. and tinned leads
			Y Pt1000 DIN - IEC	2 3-wire single el. 1/3 DIN			O250		15 1.5	
				3 4-wire single el. Cl. A (1/2 DIN)			O300		20 2	F Faston 6.35
				4 4-wire single el. (1/3 DIN)			O350		25 2.5	
				5 4-wire dual Cl. B (1 DIN)			O400		30 3	D Miniature plug
				6 6-wire dual el. Cl. B (1 DIN)			O450		35 3.5	G Standard plug
				7 6-wire dual el. (1/3 DIN)			O500		40 4	
									45 4.5	J Cylindrical plug ø 17
									50 5	
							L min 0090		00 10	R Male ø 12 cylindric plug

Note: other lengths on request for LG and Lc. Code ex.: LG = 135mm Code 0135 / Lc = 7m Code 70

Reference model:

Straight/drilled RTD with TS O wire, 10mm o.d. sheath, 3-wire Pt100 single elem., class B (1 DIN), sealed element, AISI 316 sheath, 150mm length, 1/4" Gas adjustable compression fitting, 1m wire and 1.8 diam. terminals.

E3 D10 - P 0 3 - B 0150 - F - 10 P

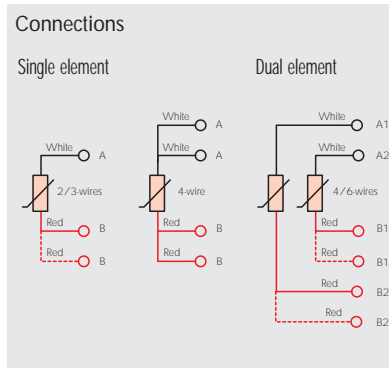
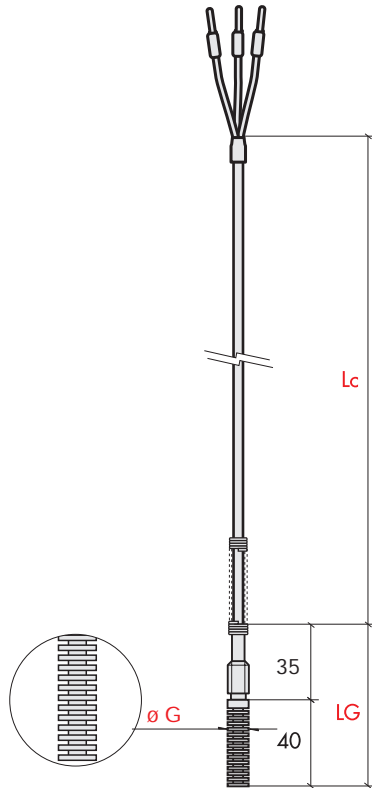
□ - □ □ □ - □ □ □ - □ - □ □ □

PRICE LIST



PRINT

Sensors for aerother. detect.



E7 Waterproof/finned
fast response RTD,
10mm o.d.
with connection wire
and fixed
attaching device

Type of wire	Diam. øG mm	Base code	Value in [ohm] at 0°C	Element N° and limits	Type of RTD	Sheath material	Sheath LG mm	Type of thread	Lc wire length m	Type of termination
PP 0 100°C max	10	E7 C10	P Pt100 DIN - IEC	0 3-wire single el. Cl. B (1 DIN)	0 Ceramic 750 °C max	B AISI 316	0075	D M10 L15	10 1	P
TS 0 200°C max	10	E7 D10								S
TS T 220°C max	10	E7 G10								F
			X Pt500 DIN - IEC	1 3-wire single el. Cl. A (1/2 DIN)	1 Thin film 250 °C max				05 0.5	D
			Y Pt1000 DIN - IEC	2 3-wire single el. 1/3 DIN					15 1.5	G
				3 4-wire single el. Cl. A (1/2 DIN)					20 2	J
				4 4-wire single el. 1/3 DIN					25 2.5	R
				5 4-wire dual Cl. B (1 DIN)					30 3	
				6 6-wire dual el. Cl. B (1 DIN)					35 3.5	
				7 6-wire dual el. Cl. A (1/2 DIN)					40 4	
				8 6-wire dual el. 1/3 DIN					45 4.5	
									50 5	
									00 10	

Note: other lengths on request for LG and Lc. Code ex.: LG = 135mm Code 0135 / Lc = 7m Code 70

Reference model:

Waterproof/finned RTD with TS 0 wire, 10mm o.d. sheath, 3-wire Pt100 single elem., class B (1 DIN), ceramic element, AISI 316 sheath, 75mm length, M10 L15 attaching device, 1m wire and 1.8mm diam. terminals.

E7 D10 - P 0 0 - B 0075 - D - 10 P

□ - □ □ □ - □ □ □ - □ - □ □ □

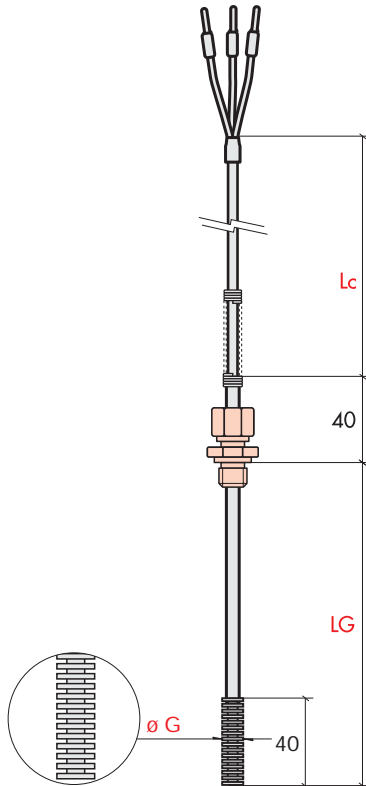




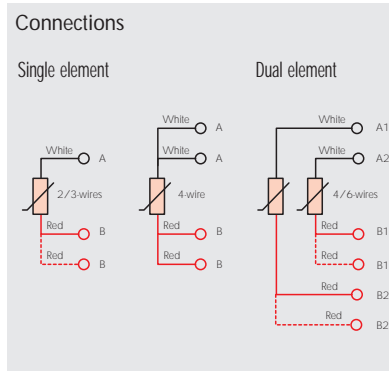
Certificata ISO 9002
Centro taratura SIT **JTC**

ELSI s.r.l. - via Milano, 11 - 20020 Lainate (MI)
Tel.: (02) 9370868 / 9373042 - Fax: (02) 9371724
Home page: www.elsi.it • e-mail: info@elsi.it

Sensors for aerother. detect.



E8 Waterproof/finned
fast response RTD,
10mm o.d.,
with connection wire
and adjustable
compression fitting



Type of wire	Diam. øG mm	Base code	Value in [ohm] at 0°C	Element N° and limits	Type of RTD	Sheath material	Sheath LG mm	Type of thread	Lc wire length m	Type of termination
PP O 100°C max	10	E8 C10	P Pt100 DIN - IEC	0 3-wire single el. Cl. B (1 DIN)	0 Ceramic 750 °C max	B AISI 316	O150	F 1/4" Gas L15 CH - 17	10 1	P Terminals ø 1.4 - 1.8 max
TS O 200°C max	10	E8 D10								
TS T 220°C max	10	E8 G10								
			X Pt500 DIN - IEC	1 3-wire single el. Cl. A (1/2 DIN)	1 Thin film 250 °C max		O200	I 1/2" Gas L14 CH - 24	05 0.5	S Insul. and tinned leads
			Y Pt1000 DIN - IEC	2 3-wire single el. 1/3 DIN			O250		15 1.5	
				3 4-wire single el. Cl. A (1/2 DIN)			O300		20 2	F Faston 6.35
				4 4-wire single el. 1/3 DIN			O350		25 2.5	
				5 4-wire dual Cl. B (1 DIN)			O400		30 3	D Miniature plug
				6 6-wire dual el. Cl. B (1 DIN)			O450		35 3.5	G Standard plug
				7 6-wire dual el. Cl. A (1/2 DIN)			O500		40 4	
				8 6-wire dual el. 1/3 DIN					45 4.5	J Cylindrical plug ø 17
									50 5	
							L min 0090		00 10	R Male ø 12 cylindric plug

Note: other lengths on request for LG and Lc. Code ex.: LG = 135mm Code 0135 / Lc = 7m Code 70

Reference model:

Waterproof/finned RTD with TS O wire, 10mm o.d. sheath, 3-wire Pt100 single element, class B (1 DIN), ceramic element, AISI 316 sheath, 150mm length, 1/4" Gas adjustable compression fitting, 1m wire and 1.8mm diam. terminals.

E8 D10 - P 0 0 - B 0150 - F - 10 P

□ - □ □ □ - □ □ □ - □ - □ □ □

PRICE LIST



PRINT