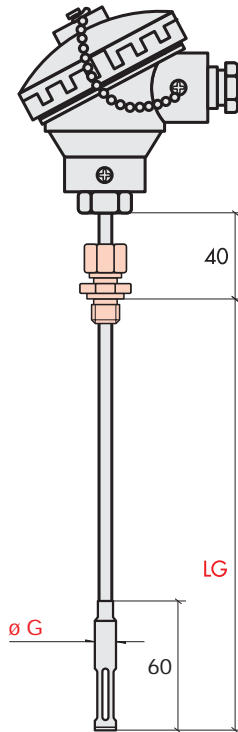
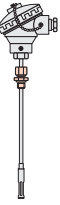




Certificata ISO 9002  
Centro taratura SIT **JTC**

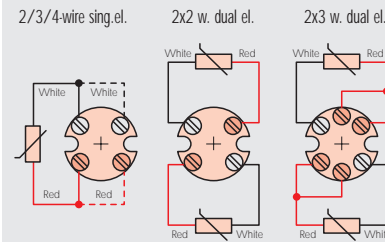
ELSI s.r.l. - via Milano, 11 - 20020 Lainate (MI)  
Tel.: (02) 9370868 / 9373042 - Fax: (02) 9371724  
Home page: www.elsi.it • e-mail: info@elsi.it

## Sensors for aerother. detect.



**E4** Straight/drilled fast response RTD, 10mm o.d., with connection head and adjustable compression fitting

### Connections elettrici



Connection head	Diameter ø G mm	Base code	Value in [ohm] at 0°C	Element N° and limits	Type of RTD	Sheath material	Sheath LG mm	Type of thread
Miniat. IP67 	10	E4 M10	P Pt100 DIN - IEC	0 3-wire single el. Cl. B (1 DIN)	3 Sealed 250 °C max	B AISI 316	0150	F 1/4" Gas - L15 CH - 17
			X Pt500 DIN - IEC	1 3-wire single el. Cl. A (1/2 DIN)	2 Glass 400 °C max			I 1/2" Gas - L14 CH - 24
Standard IP67, optional transmitter * 	10	E4 S10	Y Pt1000 DIN - IEC	2 3-wire single el. 1/3 DIN			0250	
				3 4-wire single el. Cl. A (1/2 DIN)		0300		
				4 4-wire single el. (1/3 DIN)		0350		
				5 4-wire dual Cl. B (1 DIN)		0400		
				6 6-wire dual el. Cl. B (1 DIN)		0450		
	7 6-wire dual el. (1/3 DIN)		0500					
						L min 0090		

Note:  
\* Transmitter for single element only

Note: other lengths on request for LG. Code ex.: LG = 135mm Code 0135

### Reference model:

Straight RTD, standard head, 10mm o.d. sheath, 3-wire Pt100 single element, class B (1 DIN), sealed element, AISI 316 sheath, 150mm length, 1/4" Gas adjustable compression fitting.

**E4 S10 - P 0 3 - B 0150 - F**



PRICE LIST



PRINT



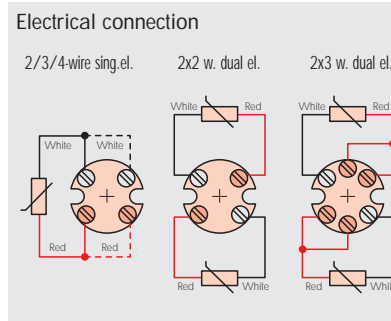
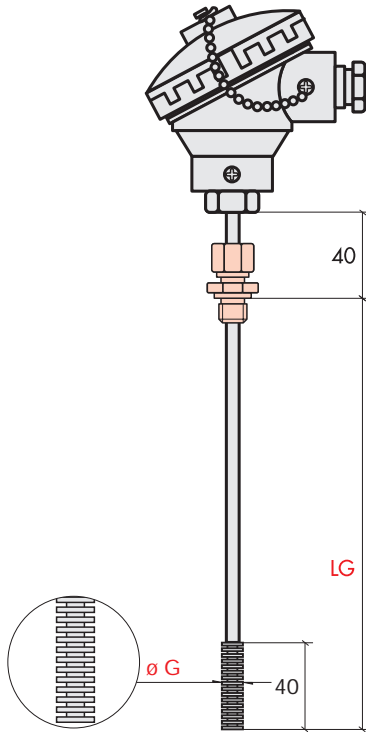
Certificata ISO 9002  
Centro taratura SIT **JTC**

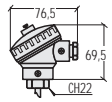
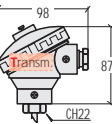
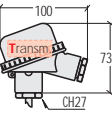
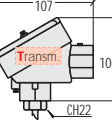
ELSI s.r.l. - via Milano, 11 - 20020 Lainate (MI)  
Tel.: (02) 9370868 / 9373042 - Fax: (02) 9371724  
Home page: www.elsi.it • e-mail: info@elsi.it

## Sensors for aerother. detect.



**E9** Waterproof/finned  
fast response RTD,  
10mm o.d.  
with connection head  
and adjustable  
compression fitting



Connection head	Diameter Ø G mm	Base code	Value in [ohm] at 0°C	Element N° and limits	Type of RTD	Sheath material	Sheath LG mm	Type of thread	
 Miniatur IP67	10	E9 M10	P Pt100 DIN - IEC	0 3-wire single el. Cl. B (1 DIN)	0 Ceramic 750 °C	B AISI 316	0150	F 1/4" Gas - L15 CH - 17	
 Standard IP67, optional transmitter *	10	E9 S10	X Pt500 DIN - IEC	1 3-wire single el. Cl. A (1/2 DIN)	1 Thin film 250 °C max		0200	I 1/2" Gas - L14 CH - 24	
	10 + T	E9 T10	Y Pt1000 DIN - IEC	2 3-wire single el. 1/3 DIN			0250		
 Nylon IP65, optional transmitter *	10	E9 N10		3 4-wire single el. Cl. A (1/2 DIN)			0300		
	10 + T	E9 Y10		4 4-wire single el. Cl. B (1 DIN)			0350		
 EEx d IIB IP65, optional transmitter *	10	E9 X10		5 6-wire dual el. Cl. B (1 DIN)			0400		
	10 + T	E9 U10		6 6-wire dual el. Cl. A (1 DIN)			0450		
					7 6-wire dual el. Cl. A (1/2 DIN)			0500	
				8 6-wire dual el. (1/3 DIN)					
Note:							L min	0060	

Note: other lengths on request for LG. Code ex.: LG = 135mm Code 0135

Reference model:

Waterproof/finned RTD, general purpose head, 10mm o.d. sheath, 3-wire Pt100 single element, class B (1 DIN), ceramic element, AISI 316 sheath, 150mm length, 1/4" Gas adjustable compression fitting.

**E9 S10 - P 0 0 - B 0150 - F**

