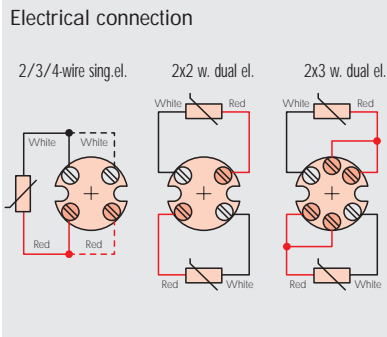
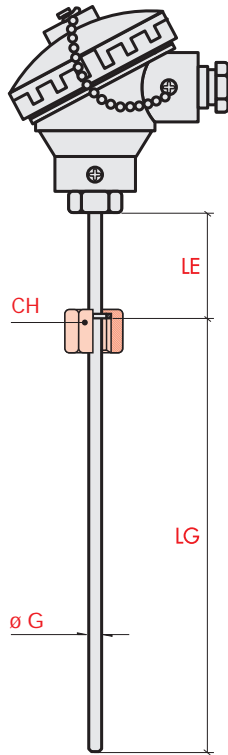


## Low pressure sensors with connection head



**F3** Straight RTD,  
6mm and 8mm o.d.,  
female rotating  
attaching device



Connection head	Diameter ø G mm	Base code	Value in [ohm] at 0°C	Element N° and limits	Type of RTD	Sheath material	Sheath LG mm	Type of thread	Extension LE mm
Miniat. IP67 	6	F3 M60	P Pt100 DIN - IEC	0 3-wire single el. Cl. B (1 DIN)	0 Ceramic 750 °C max	B AISI 316	0100	I 1/2" Gas - L16 CH-24	02 20
	8	F3 M80							
Standard IP67, optional transmitter * 	6	F3 S60	X Pt500 DIN - IEC	1 3-wire single el. Cl. A (1/2 DIN)	1 Thin film 250 °C max		0150	H 3/8" Gas - L17 CH-19	05 50
	8	F3 S80	Y Pt1000 DIN - IEC	2 3-wire single el. 1/3 DIN			0200	J 3/4" Gas - L16 CH-30	08 80
	6 + T	F3 T60	Z Ni100 DIN - IEC	3 4-wire single el. Cl. A (1/2 DIN)			0250		
	8 + T	F3 T80		4 4-wire single el. 1/3 DIN			0300		
Nylon IP65, optional transmitter * 	6	F3 N60		5 4-wire dual Cl. B (1 DIN)			0350		
	8	F3 N80		6 6-wire dual el. Cl. B (1 DIN)			0400		
	6 + T	F3 Y60		7 6-wire dual el. Cl. A (1/2 DIN)			0450		
	8 + T	F3 Y80		8 6-wire dual el. 1/3 DIN			0500		
EEx d IIB IP65, optional transmitter * 	6	F3 X60							
	8	F3 X80							
	6 + T	F3 U60							
	8 + T	F3 U80					L min 0050		

Note: \* Transmitter for single element only

Note: other lengths on request for LG and LE. Code ex.: LG = 135mm Code 0135 / LE = 60mm Code 06

Reference model:

Straight RTD, standard head, 6mm sheath o.d., 3-wire Pt100 single element, B class (1 DIN), ceramic element, AISI 316 sheath, 100mm length, 1/2" Gas female compression fitting, 20mm extension.

**F3 S60 - P 0 0 - B 0100 - I 02**

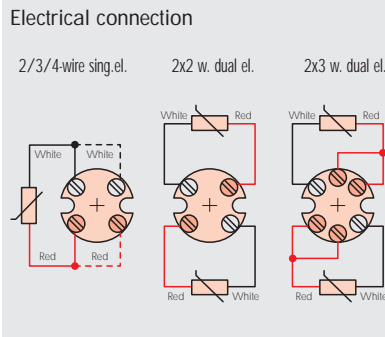
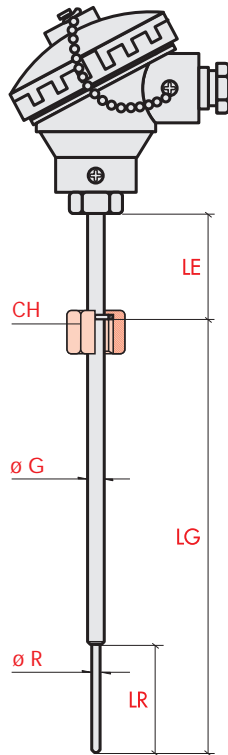
□ - □ □ □ - □ □ □ - □ □ □



## Low pressure sensors with connection head



**F4** Straight/tapered RTD, 6mm and 8mm o.d., female compression fitting



Connection head	Diameter ø G mm	Base code	Value in [ohm] at 0°C	Element N° and limits	Type of RTD	Sheath material	Sheath LG mm	Tapering øR x LR mm	Type of thread	Extension LE mm
Miniat. IP67 	6	F4 M60	P Pt100 DIN - IEC	0 3-wire single el. Cl. B (1 DIN)	0 Ceramic 750 °C max	B AISI 316	O100	0 D4 x 50	I 1/2" Gas - L16 CH - 24	O2 20
	8	F4 M80								
Standard IP67, optional transmitter * 	6	F4 S60	X Pt500 DIN - IEC	1 3-wire single el. Cl. A (1/2 DIN)	1 Thin film 250 °C max		O150	1 D4 x 80	H 3/8" Gas - L17 CH - 19	O5 50
	8	F4 S80	Y Pt1000 DIN - IEC	2 3-wire single el. 1/3 DIN			O200	2 D4 x 100	J 3/4" Gas - L16 CH - 30	O8 80
	6 + T	F4 T60								
	8 + T	F4 T80								
Nylon IP65, optional transmitter * 	6	F4 N60								
	8	F4 N80		5 4-wire dual Cl. B (1 DIN)			O350	5 D5 x 100		
	6 + T	F4 Y60		6 6-wire dual el. Cl. B (1 DIN)			O400			
	8 + T	F4 Y80		7 6-wire dual el. Cl. A (1/2 DIN)			O450			
EEx d IIB IP65, optional transmitter * 	6	F4 X60								
	8	F4 X80		8 6-wire dual el. 1/3 DIN			O500			
	6 + T	F4 U60								
	8 + T	F4 U80					L min O080			

Note: \* Transmitter for single element only

Note: other lengths on request for LG and LE. Code ex.: LG = 135mm Code 0135 / LE = 60mm Code 06

Reference model:

Straight/tapered RTD, standard head, 6mm diam. sheath, 3-wire Pt100 element, class B (1 DIN), ceramic element, AISI316 sheath, 100mm length, 4 x 50mm tapering, 1/2" Gas female compression fitting, 20mm extension.

F4 S60 - P 0 0 - B 0100 . 0 - I 02

□ - □ □ □ - □ □ □ . □ - □ □ □

