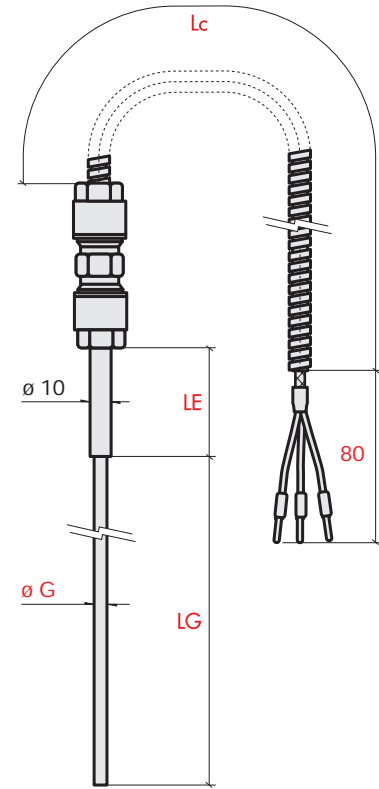




Certificata ISO 9002  
Centro taratura SIT **JIC**

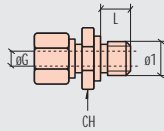
ELSI s.r.l. - via Milano, 11 - 20020 Lainate (MI)  
Tel.: (02) 9370868 / 9373042 - Fax: (02) 9371724  
Home page: www.elsi.it • e-mail: info@elsi.it

## RINA approved sensors for naval pur.



### Mounting Fittings

Suggested adjustable compression fittings



Material	ø1	L	CH	øG	Model
AISI 316	1/4"G	12	17	6	Z1 RFS-B/F060
	1/2"G	14	24	6	Z1 RFS-B/I060
	1/4"G	12	17	8	Z1 RFS-B/F080
	1/2"G	14	24	8	Z1 RFS-B/I080
Treated brass	1/4"G	12	17	6	Z1 RFS-O/F060
	1/2"G	14	24	6	Z1 RFS-O/I060
	1/4"G	12	17	8	Z1 RFS-O/F080
	1/2"G	14	24	8	Z1 RFS-O/I080

### Thermowells from bar stock

Thermowells format	Description	Base code
	Straight / screw	Z5 EF1

**K1** Straight/reinforced Mgo RTD, 6 and 8 mm diam. with extension wire.

Type of wire	Diameter øG mm	Base code	Value in Ω à 0°C	Element N° and limits	Type of RTD	Sheath material	Sheath LG mm	Type of thread	Extension LE mm	Lc wire length m	Type of termination
SS 0 200°C max	6	K1 F60	P Pt100 DIN - IEC	0 3-wire single el. Cl. B (1 DIN)	0 Ceramic 750 °C max	B AISI 316	O250	S None	O5 50	10 1	
SS 0/SP - Zn 200°C max	6	K1 N60									
SS 0/SP - Inox 200°C max	6	K1 Q60		1 3-wire single el. Cl. A (1/2 DIN)			O150			05 0.5	
SS 0 200°C max	8	K1 F80		6 6-wire dual el. Cl. B (1 DIN)			O200			15 1.5	
SS 0/SP - Zn 200°C max	8	K1 N80		7 6-wire dual el. Cl. A (1/2 DIN)			O300			20 2	
SS 0/SP - Inox 200°C max	8	K1 Q80					O350			25 2.5	
							O400			30 3	
							O450			35 3.5	
							O500			40 4	
										45 4.5	
										50 5	
							L min O100			00 10	

Note: other lengths on request for LG, LE and Lc. Code ex.: LG = 135mm cod. 0135 / LE = 60mm cod. 06 / Lc = 7m cod. 70

### Reference model:

Straight/reinforced Mgo RTD with SS 0/SP wire, 6 mm sheath o.d., 3-wire Pt100 single element, class B (1 DIN), ceramic element, AISI 316 sheath, 250mm length, no attaching device, 50mm extended length, 1m wire and 1.8mm terminals.

**K1 Q60 - P 0 0 - B 0250 - S 05 - 10 P**

