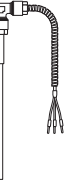
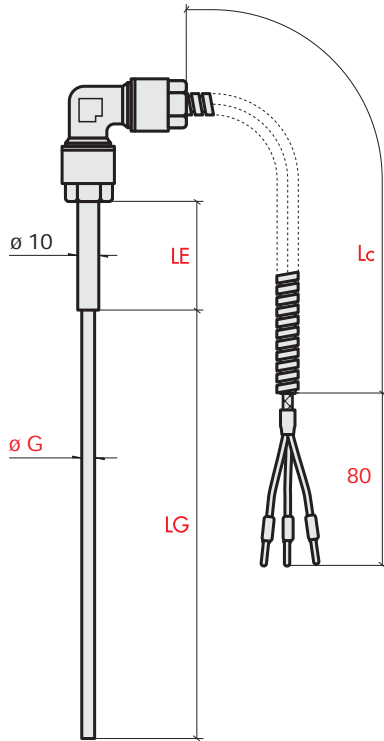


RINA approved sensors for naval pur.

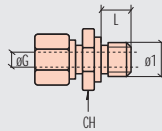


K2 90°
bended/reinforced
Mgo RTD,
6 and 8mm diam.,
with extension cable



Mounting Fittings

Suggested adjustable compression fittings



Material	ø1	L	CH	øG	Model
AISI 316	1/4"G	12	17	6	Z1 RFS-B/FO60
	1/2"G	14	24	6	Z1 RFS-B/IO60
	1/4"G	12	17	8	Z1 RFS-B/FO80
	1/2"G	14	24	8	Z1 RFS-B/IO80
Treated brass	1/4"G	12	17	6	Z1 RFS-O/FO60
	1/2"G	14	24	6	Z1 RFS-O/IO60
	1/4"G	12	17	8	Z1 RFS-O/FO80
	1/2"G	14	24	8	Z1 RFS-O/IO80

Thermowells from bar stock

Thermowells format	Description	Base code
	Straight / screw	Z5 EF1

Type of wire	Diameter øG mm	Base code	Value in Ω à 0°C	Element N° and limits	Type of RTD	Sheath material	Sheath LG mm	Type of thread	Extension LE mm	Lc wire length m	Type of termination	
SS 0 200°C max	6	K2 F60	P Pt100 DIN - IEC	0 3-wire single el. Cl. B (1 DIN)	0 Ceramic 750 °C max	B AISI 316	O250	S None	O5 50	10	1	P
SS 0/SP - Zn 200°C max	6	K2 N60								10	1	P
SS 0/SP - Inox 200°C max	6	K2 Q60		1 3-wire single el. Cl. A (1/2 DIN)			O150			05	0.5	S
SS 0 200°C max	8	K2 F80		6 6-wire dual el. Cl. B (1 DIN)			O200			15	1.5	Insul. and tinned leads
SS 0/SP - Zn 200°C max	8	K2 N80		7 6-wire dual el. Cl. A (1/2 DIN)			O300			20	2	
SS 0/SP - Inox 200°C max	8	K2 Q80					O350			25	2.5	Faston 6.35
							O400			30	3	
							O450			35	3.5	
							O500			40	4	
										45	4.5	
										50	5	
							L min O100			00	10	

Note: other lengths on request for LG, LE and Lc. Code ex.: LG = 135mm cod. 0135 / LE = 60mm cod. 06 / Lc = 7m cod. 70

Reference model:

90° bended/reinforced Mgo RTD with SS O/SP wire, 6 mm sheath o.d., 3-wire Pt100 single element, class B (1 DIN), ceramic element, AISI 316 sheath, 250mm length, no attaching device, 50mm extended length, 1m wire and 1.8mm terminals.

K2 Q60 - P 0 0 - B 0250 - S 05 - 10 P

- - - - -