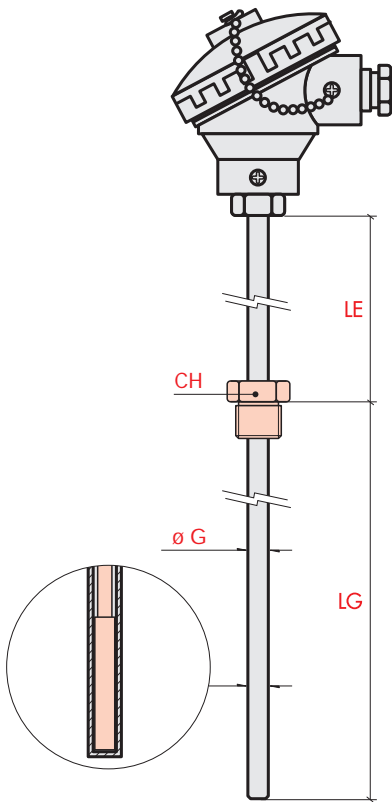
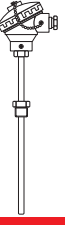


RINA approved sensors for naval pur.



Electrical connection

2/3/4-wire Single element 2x2 wire Dual element 2x3 wire Dual element

Mounting Fittings
Suggested adjustable compression fittings

Material	ø1	L	CH	øG	Model
AISI 316	1/2" G	14	24	10	Z1 RFS-B/I100
	1/2" NPT	19	22	10	Z1 RFS-B/Q100
	1/2" G	14	24	13.5	Z1 RFS-B/I135
	1/2" NPT	19	22	13.5	Z1 RFS-B/Q135

Thermowells format	Description	Base code
	Straight / screw	Z5 EFi

K3 Straight RTD with MgO replaceable insertion, 10 and 13.5mm diam., with connection head

Compatible connection heads	Diameter* øG mm	Base code	Value in Ω à 0°C	Element N° and limits	Type of RTD	Sheath material	Sheath LG mm	Type of thread	Extension LE mm
Standard IP67 	10	K3 S10	P Pt100 DIN - IEC	0 3-wire single el. Cl. B (1 DIN)	O Ceramic 750 °C max	B AISI 316	O250	I 1/2" Gas- L15 CH - 24	12 120
	13.5	K3 S13							
EEx d IIB IP65 	10	K3 X10		1 3-wire single el. Cl. A (1/2 DIN)				Q 1/2" NPT - L15 CH - 24	05 50
	13.5	K3 X13		6 6-wire single el. Cl. B (special)					08 80
				7 6-wire dual el. Cl. A (1/2 DIN)					10 100
							L min 0100		

Note:
* øG = 10, insertion ø 6
øG = 13.5, insertion ø 8

Note: other lengths on request for LG, and LE. Code ex.: LG = 135mm cod. 0135 / LE = 60mm cod. 06

Reference model:

Straight RTD with MgO insertion, standard head, 10mm sheath o.d., 3-wire Pt100 single element, class B (1 DIN), ceramic element, AISI316 sheath, 250mm length, 1/2" Gas fixed attaching device, 120mm extension.

K3 S10 - P 0 0 - B 0250 - I 12

□ - □ □ □ - □ □ □ - □ □ □