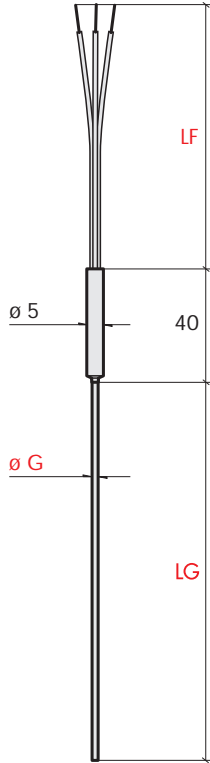




Certificata ISO 9002
Centro taratura SIT **JTC**

ELSI s.r.l. - via Milano, 11 - 20020 Lainate (MI)
Tel.: (02) 9370868 / 9373042 - Fax: (02) 9371724
Home page: www.elsi.it • e-mail: info@elsi.it

General purpose MgO sensors



Connections

Single element: 2/3 wire (White A, Red B, Red B)

Dual element: 4/6 wire (White A1, White A2, Red B1, Red B1, Red B2, Red B2)

Mounting Fittings

Suggested adjustable compression fittings

Material	ø1	L	CH	øG	Model
AISI 316	1/8" G	10.5	12	2	Z1 RFS-B/EO20
	1/8" NPT	10.5	12	2	Z1 RFS-B/MO20
	1/8" G	10.5	12	3	Z1 RFS-B/EO30
	1/8" NPT	10.5	12	3	Z1 RFS-B/MO30

P2 Straight RTD, 2 and 3mm ø, with extended terminals

Type of extension	Diameter ø G mm	Base code	Thermocouple type	Element N° and limits	Type of RTD	Sheath material	Sheath LG mm	Wires LF mm
PTFE insulated split leads	2	P2 T20	P Pt100 DIN - IEC	0 3-wire single el. Cl. B (1 DIN)	O Ceramic 750°C max	B AISI 316	0100	50 50
	3	P2 T30		1 3-wire single el. Cl. B (1/2 DIN)			0150	30 30
		2 3-wire single el. 1/3 DIN		0200			70 70	
		3 4-wire single el. Cl. A (1/2 DIN)		0250				
		4 4-wire single el. 1/3 DIN		0300				
				0350				
				0400				
				0450				
				0500				
				L min 0080				

Note: other lengths on request for LG an LF.

Code ex.: LG = 135mm cod. 0135 / LF = 65mm cod. 65

P2 T20 - P 0 0 - B 0100 - 50

Reference model:
Straight MgO RTD, 2mm sheath diam., 3-wire Pt 100 single element, class B (1 DIN), ceramic element, AISI 316 sheath, 100mm length with 50mm split leads.

□ - □ □ □ - □ □ □ - □ □ □

PRICE LIST



PRINT

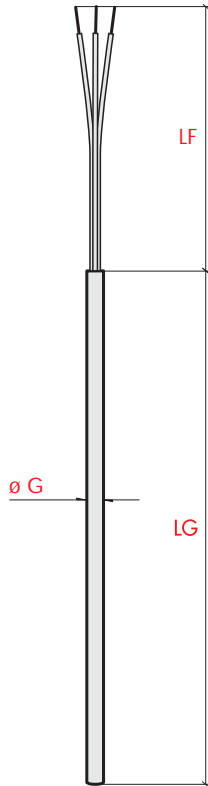


Certificata ISO 9002
Centro taratura SIT **JTC**

ELSI s.r.l. - via Milano, 11 - 20020 Lainate (MI)
Tel.: (02) 9370868 / 9373042 - Fax: (02) 9371724
Home page: www.elsi.it • e-mail: info@elsi.it

General purpose MgO sensors

P2 Straight RTD, 4.5 and 6mm diam., with extended terminals



Connections

Single element: 2/3 wire (White A, Red B, Red B)

Dual element: 4/6 wire (White A1, White A2, Red B1, Red B2, Red B2, Red B2)

Mounting Fittings

Suggested adjustable compression fittings

Material	ø1	L	CH	øG	Model
AISI 316	1/8"G	10.5	12	4.5	Z1 RFS-B/E045
	1/8"NPT	10.5	12	4.5	Z1 RFS-B/M045
	1/4"G	12	17	6	Z1 RFS-B/F060
	1/2"G	14	24	6	Z1 RFS-B/I060
Treated brass	1/4"G	12	17	6	Z1 RFS-O/F060
	1/2"G	14	24	6	Z1 RFS-O/I060

Type of extension	Diameter øG mm	Base code	Thermocouple type	Element N° and limits	Type of RTD	Sheath material	Sheath LG mm	Wires LF mm
PTFE insulated split leads	4.5	P2 T45	P Pt100 DIN - IEC	0 3-wire single el. Cl. B (1 DIN)	O Ceramic 750°C max	B AISI 316	0100	50 50
	6	P2 T60		1 3-wire single el. Cl. A (1/2 DIN)			0150	30 30
		2 3-wire single el. 1/3 DIN		0200			70 70	
		3 4-wire single el. Cl. A (1/2 DIN)		0250				
		4 4-wire single el. 1/3 DIN		0300				
		6 6-wire dual el. Cl. B (1 DIN)		0350				
		7 6-wire dual el. Cl. A (1/2 DIN)		0400				
		8 6-wire dual el. 1/3 DIN		0450				
				0500				
				L min 0080				

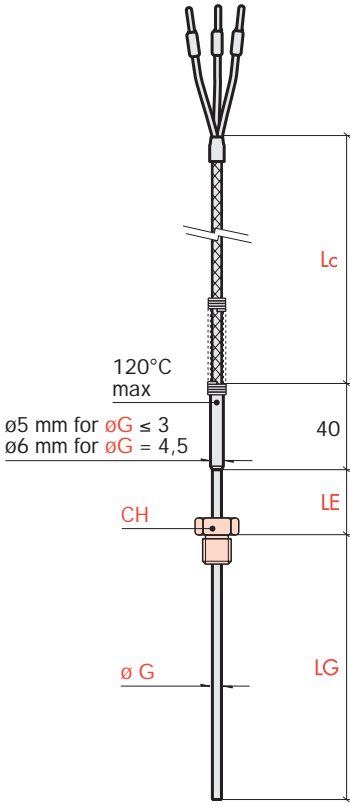
Note: other lengths on request for LG and LF. Code ex.: LG = 135mm cod. 0135 / LF = 65mm cod. 65

P2 T60 - P 0 0 - B 0100 - 50

Reference model:
Straight MgO RTD, 6mm sheath o.d., 3-wire Pt100 single element, class B (1 DIN), ceramic element, AISI 316 sheath, 100mm length with 50mm split leads.



General purpose MgO sensors



Connections

Single element: 2/3 wire (White A, Red B), 4 wire (White A, Red B, Red C, Red D)

Dual element: 4/6 wire (White A1, White A2, Red B1, Red B2, Red C1, Red C2)

Mounting Fittings
(for models without fixed attaching device only)

Suggested adjustable compression fittings

Material	ø1	L	CH	øG	Model
AISI 316	1/8" G	10.5	12	2	Z1 RFS-B/EO20
	1/8" NPT	10.5	12	2	Z1 RFS-B/MO20
	1/8" G	10.5	12	3	Z1 RFS-B/EO30
	1/8" NPT	10.5	12	3	Z1 RFS-B/MO30
	1/8" G	10.5	12	4.5	Z1 RFS-B/EO45
	1/8" NPT	10.5	12	4.5	Z1 RFS-B/MO45

P5 Straight RTD, o.d. from 2 up to 4.5mm, connection wire, optional fixed attaching device

Type of wire	Diam. øG mm	Base code	Value in Ω at 0°C	Element N° and limits	Type of RTD	Sheath material	Sheath LG mm	Type of thread	Extension LE mm	Lc wire length m	Type of termination	
EES - stn 300°C max	2	P5 A20	P Pt100 DIN - IEC	0	Ceramic 750 °C max	B AISI 316	0100	S None	00 None	10	1	P Terminals ø 1.4 - 1.8 max
TS 0 200°C max	2	P5 D20										
TS T 220°C max	2	P5 G20										
EES - stn 300°C max	3	P5 A30		1	3-wire single el. Cl. A (1/2 DIN)		0150	A M6 x 1 - L10 CH-10 (pour ø2 et ø3)	02 20	05	0.5	S Insul. and tinned leads
TS 0 200°C max	3	P5 D30		2	3-wire single el. 1/3 DIN		0200	B M8 x 1.25 - L10 CH - 14	03 30	15	1.5	F Faston 6.35
TS T 220°C max	3	P5 G30		3	4-wire single el. Cl. A (1/2 DIN)		0250	D M10 x 1.5 - L13 CH - 14	05 50	20	2	
EES - stn 300°C max	4.5	P5 A45		4	4-wire single el. 1/3 DIN		0300	ET 1/8" Gas - L12 CH - 14	08 80	25	2.5	D Miniature plug
TS 0 200°C max	4.5	P5 D45		6	*6-wire dual el. Cl. B (1 DIN)		0350	F 1/4" Gas - L13 CH - 17		30	3	G Standard plug
TS T 220°C max	4.5	P5 G45		7	*6-wire dual el. Cl. A (1/2 DIN)		0400	M 1/8" NPT - L10 CH - 14		35	3.5	J Cylindrical plug ø 17
				8	*6-wire dual el. 1/3 DIN		0450	N 1/4" NPT - L13 CH - 17		40	4	R Male ø 12 cylindric plug
					* ø 4.5 only		L min 0080			50	5	

Note: other lengths on request for LG, LE and Lc. Code ex.: LG = 135mm cod. 0135 / LE = 60mm cod. 06 / Lc = 7m cod. 70

Reference model:

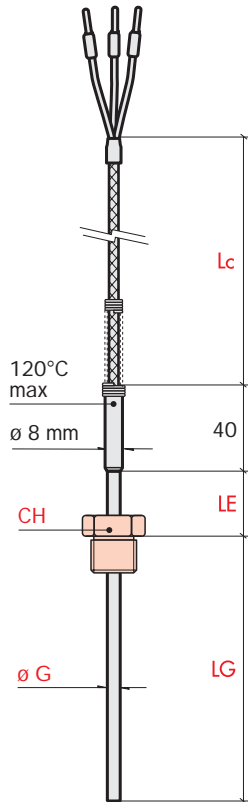
Straight MgO RTD with tinned EEs wire, 4.5mm ø sheath, 3-wire Pt100 single element, class B (1 DIN), ceramic element, AISI316 sheath, 100mm length, no attaching device, no extension, 1m wire and 1.8mm diam. terminals.

P5 A45 - P 0 0 - B 0100 - S 00 - 10 P

□ - □ □ □ - □ □ □ - □ □ □ - □ □ □



General purpose MgO sensors



Connections

Single element: 2/3 wire (White A, Red B), 4 wire (White A, Red B, Red C, Red D)

Dual element: 4/6 wire (White A1, White A2, Red B1, Red B2, Red C1, Red C2)

Mounting Fittings
(for models without fixed attaching device only)

Suggested adjustable compression fittings

Material	ø1	L	CH	øG	Model
AISI 316	1/4"G	12	17	6	Z1 RFS-B/FO60
	1/2"G	14	24	6	Z1 RFS-B/IO60
	1/4"G	12	17	6.35	Z1 RFS-B/FO63
	1/4"NPT	15	17	6.35	Z1 RFS-B/NO63
	1/4"G	12	17	8	Z1 RFS-B/FO80
	1/2"G	14	24	8	Z1 RFS-B/IO80
Treated brass	1/4"G	12	17	6	Z1 RFS-O/FO60
	1/2"G	14	24	6	Z1 RFS-O/IO60
	1/4"G	12	17	8	Z1 RFS-O/FO80
	1/2"G	14	24	8	Z1 RFS-O/IO80

P5 Straight RTD, o.d. from 6 up to 8mm, connection wire, optional fixed attaching device

Type of wire	Diam. øG mm	Base code	Value in Ω at 0°C	Element N° and limits	Type of RTD	Sheath material	Sheath LG mm	Type of thread	Extension LE mm	Lc wire length m	Type of termination
EEs - stn 300°C max	6	P5 A60	P Pt100 DIN/IEC	0 3-wire single el. Cl. B (1 DIN)	O Ceramic 750 °C max	B AISI 316	0100	S None	00 None	10 1	P
TS 0 200°C max	6	P5 D60									
TS T 220°C max	6	P5 G60		1 3-wire single el. Cl. A (1/2 DIN)			0150	F 1/4" Gas - L13 CH - 17	03 30	05 0.5	S
EEs - stn 300°C max	6.35	P5 A63		2 3-wire single el. 1/3 DIN			0200	H 3/8" Gas - L15 CH - 22	05 50	15 1.5	Insul. and tinned leads
TS 0 200°C max	6.35	P5 D63		3 4-wire single el. Cl. A (1/2 DIN)			0250	I 1/2" Gas - L15 CH - 24	08 80	20 2	
TS T 220°C max	6.35	P5 G63		4 4-wire single el. 1/3 DIN			0300	N 1/4" NPT - L13 CH - 17		25 2.5	D
EEs - stn 300°C max	8	P5 A80		6 6-wire dual el. Cl. B (1 DIN)			0350	P 3/8" NPT - L15 CH - 22		30 3	Miniature plug
TS 0 200°C max	8	P5 D80		7 6-wire dual el. Cl. A (1/2 DIN)			0400			35 3.5	G
TS T 220°C max	8	P5 G80		8 6-wire dual el. 1/3 DIN			0450			40 4	Standard plug
							0500			45 4.5	J
										50 5	R
							L min 0080			00 10	Male ø 12 cylindric plug

Note: other lengths on request for LG, LE and Lc. Code ex.: LG = 135mm cod. 0135 / LE = 60mm cod. 06 / Lc = 7m cod. 70

Reference model:

Straight MgO RTD with tinned EEs wire, 6mm ø sheath, 3-wire Pt100 single element, class B (1 DIN), ceramic element, AISI316 sheath, 100mm length, no attaching device, no extension, 1m wire and 1.8mm diam. terminals.

P5 A60 - P 0 0 - B 0100 - S 00 - 10 P

□ - □ □ □ - □ □ □ - □ □ □ - □ □ □

