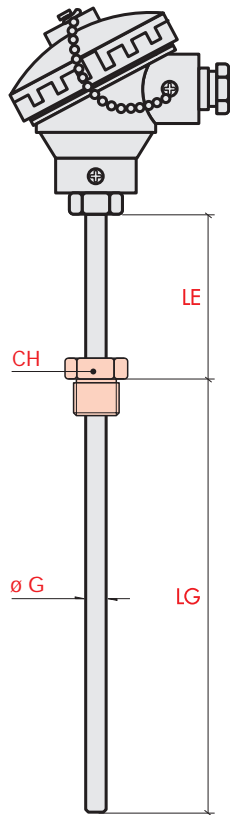
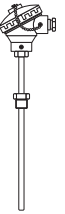




Certificata ISO 9002
Centro taratura SIT **JTC**

ELSI s.r.l. - via Milano, 11 - 20020 Lainate (MI)
Tel.: (02) 9370868 / 9373042 - Fax: (02) 9371724
Home page: www.elsi.it • e-mail: info@elsi.it

Middle-pressure Mgo sensors with replaceable insertion



Electrical connection

2/3/4-wire Single element, 2x2 wire Dual element, 2x3 wire Dual element

Mounting Fittings
(for models without fixed attaching device only)

Suggested adjustable compression fittings

Material	ø1	L	CH	øG	Model
AISI 316	1/2" G	14	24	10	Z1 RFS-B/I100
	1/2" NPT	19	22	10	Z1 RFS-B/Q100
	1/2" G	14	24	13.5	Z1 RFS-B/I135
	1/2" NPT	19	22	13.5	Z1 RFS-B/Q135
	1/2" NPT	19	22	13.5	Z1 RFS-O/Q135

R1 Straight RTD
10 and 13.5mm o.d.
with connection head,
optional fixed
attaching device

Connection head	Diameter* ø G mm	Base code	Value in Ω à 0°C	Element N° and limits	Type of RTD	Clamp material	Sheath LG mm	Type of thread	Extension LE mm
Standard IP67, optional Transmitter** 	10	R1 S10	P Pt100 DIN - IEC	0 3-wire single el. Cl. B (1 DIN)	0 Ceramic 750 °C max	B AISI 316	0100	S None	00 None
	13.5	R1 S13							
	10 + T	R1 T10							
	13.5 + T	R1 T13							
Nylon IP65, optional Transmitter** 	10	R1 N10	1 3-wire single el. Cl. A (1/2 DIN)			0150	F 1/4" Gas - L13 CH - 17 (only ø10)	05 50	
	13.5	R1 N13	2 3-wire single el. 1/3 DIN			0200	H 3/8" Gas - L15 CH - 22	08 80	
	10 + T	R1 Y10	3 4-wire single el. Cl. A (1/2 DIN)			0250	I 1/2" Gas - L15 CH - 24	10 100	
	13.5 + T	R1 Y13	4 4-wire single el. 1/3 DIN			0300	J 3/4" Gas - L15 CH - 30		
EEx d IIB IP65, optional Transmitter** 	10	R1 X10	5 4-wire dual Cl. B (1 DIN)			0350	L 1" Gas - L16 CH - 38		
	13.5	R1 X13	6 6-wire dual el. Cl. B (1 DIN)			0400	N 1/4" NPT x L13 CH - 17 (only ø10)		
	10 + T	R1 U10	7 6-wire dual el. Cl. A (1/2 DIN)			0450	Q 1/2" NPT x L15 CH - 24		
	13.5 + T	R1 U13	8 6-wire dual el. 1/3 DIN			0500	R 3/4" NPT - L15 CH - 17 (only ø10)		
						L min 0080	T 1" NPT - L25 CH - 36		

Note:
* ø G = 10, insertion ø 6
ø G = 13.5, insertion ø 8
** Transmitter for single element only

Note: other lengths on request for LG and LE. Code ex.: LG = 135mm cod. 0135 / = 60mm cod. 06

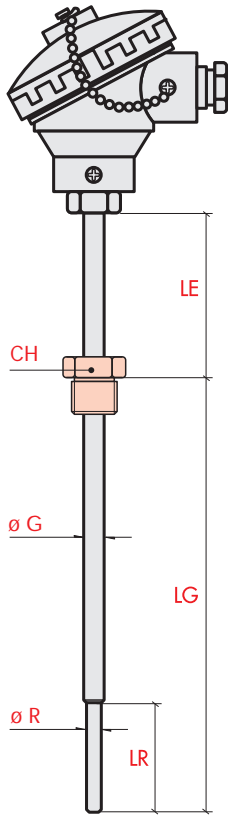
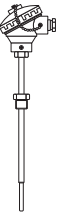
Reference model: :
Straight Mgo RTD, standard head, 10mm sheath o.d.,
3-wire Pt100 single element, class B (1 DIN), ceramic
element, AISI316 sheath, 100mm length, no attaching
device, no extension, with replaceable Mgo insertion.

R1 S10 - P 0 0 - B 0100 - S 00

□ - □ □ □ - □ □ □ - □ □ □



Middle-pressure MgO sensors with replaceable insertion



Electrical connection

2/3/4-wire Single element 2x2 wire Dual element 2x3 wire Dual element

Mounting Fittings
(for models without fixed attaching device only)

Suggested adjustable compression fittings

Material	ø1	L	CH	øG	Model
AISI 316	1/2" G	14	24	10	Z1 RFS-B/I100
	1/2" NPT	19	22	10	Z1 RFS-B/Q100
	1/2" G	14	24	13.5	Z1 RFS-B/I135
	1/2" NPT	19	22	13.5	Z1 RFS-B/Q135

R2 Straight/tapered RTD, 10 and 13.5mm o.d., with connection head and optional fixed attaching device

Connection head	Diameter øG mm	Base code	Value in Ω à 0°C	Element N° and limits	Type of RTD	Clamp material	Sheath LG mm	Tapering øR x LR mm	Type of thread	Extension LE mm
Standard IP67, optional Transmitter * 	10	R2 S10	P Pt100 DIN - IEC	0 3-wire single el. Cl. B (1 DIN)	O Ceramic 750 °C max	B AISI 316	O150	6 D8 x 60 for ø 10	S None	OO None
	13.5	R2 S13								
	10 + T	R2 T10								
	13.5 + T	R2 T13								
Nylon IP65, optional Transmitter * 	10	R2 N10		1 3-wire single el. Cl. A (1/2 DIN)			O200	7 D10 x 60 for ø 13.5	F 1/4" Gas - L13 CH -17(only ø10)	O5 50
	13.5	R2 N13								
	10 + T	R2 Y10								
	13.5 + T	R2 Y13								
EEx d IIB IP65, optional Transmitter * 	10	R2 X10		2 3-wire single el. 1/3 DIN			O250		H 3/8" Gas - L15 CH - 22	O8 80
	13.5	R2 X13								
	10 + T	R2 U10								
	13.5 + T	R2 U13								
	10	R2 X10		3 4-wire single el. Cl. A (1/2 DIN)			O300		I 1/2" Gas - L15 CH - 24	O10 100
	13.5	R2 X13								
	10 + T	R2 U10								
	13.5 + T	R2 U13								
	10	R2 X10		4 4-wire single el. 1/3 DIN			O350		J 3/4" Gas - L15 CH - 30	
	13.5	R2 X13								
	10 + T	R2 U10								
	13.5 + T	R2 U13								
	10	R2 X10		5 4-wire dual Cl. B (1 DIN)			O400		L 1" Gas - L16 CH - 38	
	13.5	R2 X13								
	10 + T	R2 U10								
	13.5 + T	R2 U13								
	10	R2 X10		6 6-wire dual el. Cl. B (1 DIN)			O450		N 1/4" NPT - L13 CH -17(only ø10)	
	13.5	R2 X13								
	10 + T	R2 U10								
	13.5 + T	R2 U13								
	10	R2 X10		7 6-wire dual el. Cl. A (1/2 DIN)			O500		Q 1/2" NPT - L15 CH - 24	
	13.5	R2 X13								
	10 + T	R2 U10								
	13.5 + T	R2 U13								
	10	R2 X10		8 6-wire dual el. 1/3 DIN					R 3/4" NPT - L15 CH - 30	
	13.5	R2 X13								
	10 + T	R2 U10								
	13.5 + T	R2 U13								
	10	R2 X10							T 1" NPT - L25 CH - 36	
	13.5	R2 X13								
	10 + T	R2 U10								
	13.5 + T	R2 U13								

Note:
* Transmitter for single element only

Note: other lengths on request for LG and LE . Code ex.: LG = 135mm cod. 0135 / = 60mm cod. 06

Reference model :

Straight/tapered RTD, standard head, 10mm sheath o.d., 3-wire Pt100 single element, class B (1 DIN), ceramic element, AISI 316 sheath, 150mm length, 8x60 tapering, no attaching device, no extension, with MgO replaceable insertion.

R2 S10 - P 0 0 - B 0150 . 6 - S 00

□ - □ □ □ - □ □ □ . □ - □ □ □

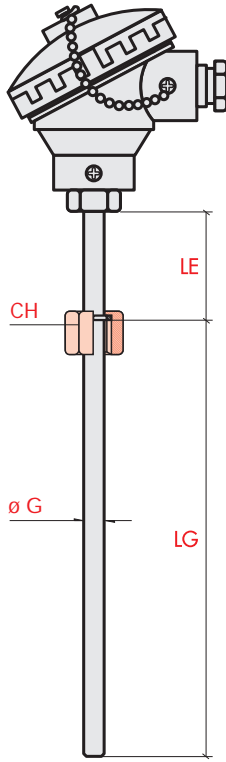




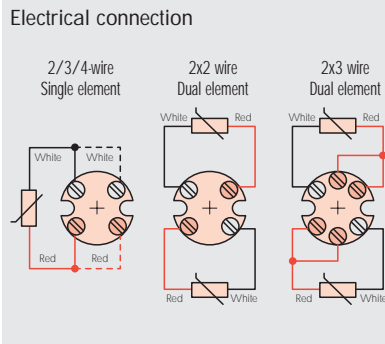
Certificata ISO 9002
Centro taratura SIT **JTC**

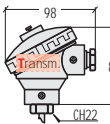
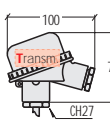
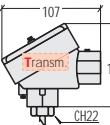
ELSI s.r.l. - via Milano, 11 - 20020 Lainate (MI)
Tel.: (02) 9370868 / 9373042 - Fax: (02) 9371724
Home page: www.elsi.it • e-mail: info@elsi.it

Middle-pressure MgO sensors with replaceable insertion



R3 Straight RTD, 10 and 13.5mm o.d., with connection head and female rotating attaching device



Connection head	Diameter* ø G mm	Base code	Value in Ω a 0°C	Element N° and limits	Type of RTD	Clamp material	Sheath LG mm	Type of flange	Extension LE mm
Standard IP67, optional Transmitter ** 	10	R3 S10	P Pt100 DIN - IEC	0 3-wire single el. Cl. B (1 DIN)	0 Ceramic 750 °C max	B AISI 316	0100	I 1/2" Gas - L16 CH - 24	02 20
	13.5	R3 S13							
	10 + T	R3 T10							
	13.5 + T	R3 T13							
Nylon IP65, optional Transmitter ** 	10	R3 N10							
	13.5	R3 N13					0150	H 3/8" Gas - L17 CH - 19	05 50
	10 + T	R3 Y10		1 3-wire single el. Cl. A (1/2 DIN)			0200	J 3/4" Gas - L16 CH - 30	08 80
	13.5 + T	R3 Y13		2 3-wire single el. 1/3 DIN			0300		
EEx d IIB IP65, optional Transmitter ** 	10	R3 X10		3 4-wire single el. Cl. A (1/2 DIN)			0250		
	13.5	R3 X13		4 4-wire single el. 1/3 DIN			0350		
	10 + T	R3 U10		5 4-wire dual Cl. B (1 DIN)			0400		
	13.5 + T	R3 U13		6 6-wire dual el. Cl. B (1 DIN)			0450		
				7 6-wire dual el. Cl. A (1/2 DIN)			0500		
				8 6-wire dual el. 1/3 DIN			L min 0080		

Note:
* ø G = 10, insertion ø 6
ø G = 13.5, insertion ø 8
** Transmitter for single element only

Note: other lengths on request for LG and LE. Code ex.: LG = 135mm cod. 0135 / = 60mm cod. 06

Reference model: :

Straight RTD, 10mm sheath o.d., 3-wire Pt100 single element, class B (1 DIN), ceramic element, AISI 316 sheath, 100mm length, 1/2" Gas female attaching device, 20mm extension, with MgO replaceable insertion.

R3 S10 - P 0 0 - B 0100 - I 02

□ - □ □ □ - □ □ □ - □ □ □

ed.1
rev. a

PRICE LIST



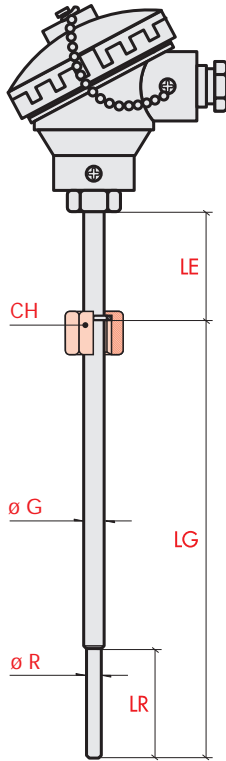
PRINT



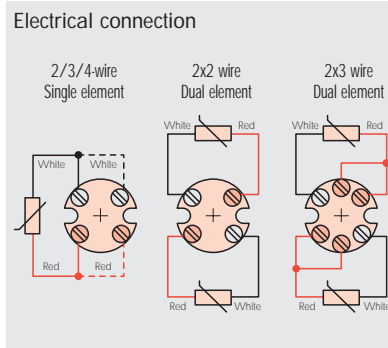
Certificata ISO 9002
Centro taratura SIT

ELSI s.r.l. - via Milano, 11 - 20020 Lainate (MI)
Tel.: (02) 9370868 / 9373042 - Fax: (02) 9371724
Home page: www.elsi.it • e-mail: info@elsi.it

Middle-pressure MgO sensors with replaceable insertion



R4 Straight/tapered RTD, 10 and 13.5mm o.d., with connection head and female rotating attaching device



Connection head	Diameter* ø G mm	Base code	Value in Ω à 0°C	Element N° and limits	Type of RTD	Clamp material	Sheath LG mm	Tapering øR x LR mm	Type of thread	Extension LE mm
Standard IP67, optional Transmitter ** 	10	R4 S10	P Pt100 DIN - IEC	0 3-wire single el. Cl. B (1 DIN)	0 Ceramic 750 °C max	B AISI 316	O150	6 D8 x 60 for ø 10	I 1/2" Gas - L16 CH - 24	O2 20
	13.5	R4 S13								
	10 + T	R4 T10								
	13.5 + T	R4 T13								
Nylon IP65, optional Transmitter ** 	10	R4 N10		1 3-wire single el. Cl. A (1/2 DIN)			7 D10 x 60 for ø 13.5	H 3/8" Gas - L17 CH - 19	O5 50	
	13.5	R4 N13		2 3-wire single el. 1/3 DIN		O250		J 3/4" Gas - L16 CH - 30	O8 80	
	10 + T	R4 Y10		3 4-wire single el. Cl. A (1/2 DIN)		O300				
	13.5 + T	R4 Y13		4 4-wire single el. 1/3 DIN		O350				
EEx d IIB IP65, optional Transmitter ** 	10	R4 X10		5 4-wire dual Cl. B (1 DIN)		O400				
	13.5	R4 X13		6 6-wire dual el. Cl. B (1 DIN)		O450				
	10 + T	R4 U10		7 6-wire dual el. Cl. A (1/2 DIN)		O500				
	13.5 + T	R4 U13		8 6-wire dual el. 1/3 DIN						
							L min O100			

Note:
* ø 6 insertion
** Transmitter for single element only

Note: other lengths on request for LG and LE. Code ex.: LG = 135mm cod. 0135 / = 60mm cod. 06

Reference model :

Straight/tapered RTD, 10mm sheath o.d., 3-wire Pt100 single element, class B (1 DIN), ceramic element, AISI 316 sheath, 150mm length, 8x60 tapering, 1/2" Gas female attaching device, 20mm extension, with MgO replaceable insertion.

R4 S10 - P 0 0 - B 0150 . 6 - I 02

□ - □ □ □ - □ □ □ . □ - □ □ □

