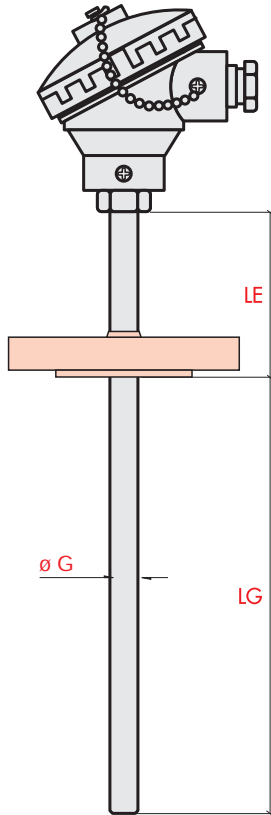




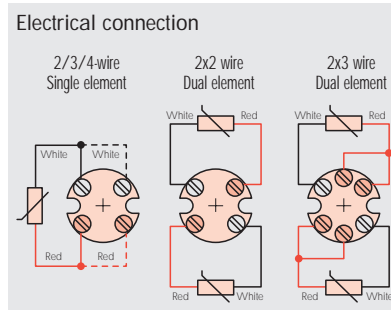
Certificata ISO 9002  
Centro taratura SIT **JTC**

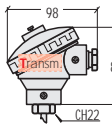
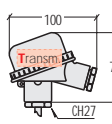
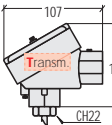
ELSI s.r.l. - via Milano, 11 - 20020 Lainate (MI)  
Tel.: (02) 9370868 / 9373042 - Fax: (02) 9371724  
Home page: www.elsi.it • e-mail: info@elsi.it

# Middle-pressure MgO sensors with replaceable insertion



**R5** Straight RTD, 10 and 13.5mm o.d., with connection head and flanged attach. device



| Connection head  | Diameter*<br>ø G mm | Base code | Value in Ω<br>à 0°C  | Element N°<br>and limits               | Type<br>of RTD          | Clamp<br>material | Sheath<br>LG mm | Type<br>of flange      | Extension<br>LE mm |
|--|---------------------|-----------|----------------------|--|-------------------------|-------------------|-----------------|------------------------|--------------------|
| Standard IP67, optional Transmitter **<br>  | 10                  | R5 S10    | P Pt100<br>DIN - IEC | 0 3-wire single el.<br>Cl. B (1/2 DIN) | 0 Ceramic<br>750 °C max | B AISI 316        | 0100            | A DN 25<br>PN 16       | 05 50              |
|  | 13.5                | R5 S13    |                      |  |                         |                   |                 |                        |                    |
|  | 10 + T              | R5 T10    |                      |  |                         |                   |                 |                        |                    |
|  | 13.5 + T            | R5 T13    |                      |  |                         |                   |                 |                        |                    |
| Nylon IP65, optional Transmitter **<br>     | 10                  | R5 N10    |                      | 1 3-wire single el.<br>Cl. A (1/2 DIN) |                         |                   | 0150            | B DN 25<br>PN 40       | 08 80              |
|  | 13.5                | R5 N13    |                      | 2 3-wire single el.<br>1/3 DIN         |                         |                   | 0200            | C DN 40<br>PN 16       | 10 100             |
|  | 10 + T              | R5 Y10    |                      | 3 4-wire single el.<br>Cl. A (1/2 DIN) |                         |                   | 0250            | D DN 40<br>PN 40       |                    |
|  | 13.5 + T            | R5 Y13    |                      | 4 4-wire single el.<br>1/3 DIN         |                         |                   | 0300            | E 1" ANSI<br>150 RF    |                    |
| EEx d IIB IP65, optional Transmitter **<br> | 10                  | R5 X10    |                      | 5 4-wire dual<br>Cl. B (1 DIN)         |                         |                   | 0350            | F 1"1/2 ANSI<br>150 RF |                    |
|  | 13.5                | R5 X13    |                      | 6 6-wire dual el.<br>Cl. B (1 DIN)     |                         |                   | 0400            | G 1" ANSI<br>300 RF    |                    |
|  | 10 + T              | R5 U10    |                      | 7 6-wire dual el.<br>Cl. A (1/2 DIN)   |                         |                   | 0450            | H 1"1/2 ANSI<br>300 RF |                    |
|  | 13.5 + T            | R5 U13    |                      | 8 6-wire dual el.<br>1/3 DIN           |                         |                   | 0500            |                        |                    |
|  |                     |           |                      |  |                         |                   | L min<br>0080   |                        |                    |

Note:  
\* ø G = 10, insertion ø 6  
ø G = 13.5, insertion ø 8  
\*\* Transmitter for single element only

Note: other lengths on request for LG and LE. Code ex.: LG = 135mm cod. 0135 / = 60mm cod. 06

Reference model :

Straight RTD, standard head, 10mm sheath o.d., 3-wire Pt100 single element, class B (1 DIN), ceramic element, AISI 316 sheath, 100mm length, DN 25 PN16 flanged attaching device, 50mm extension, with MgO replaceable insertion.

**R5 S10 - P 0 0 - B 0100 - A 05**

□ - □ □ □ - □ □ □ - □ □ □

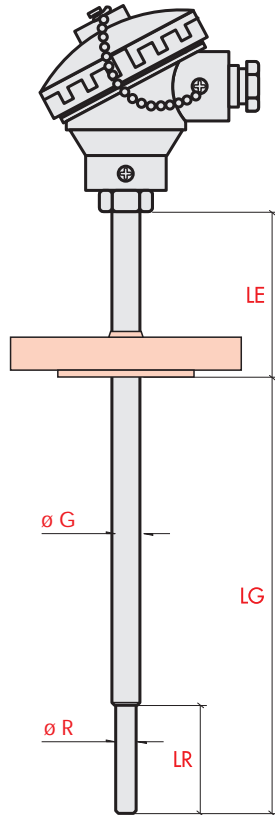




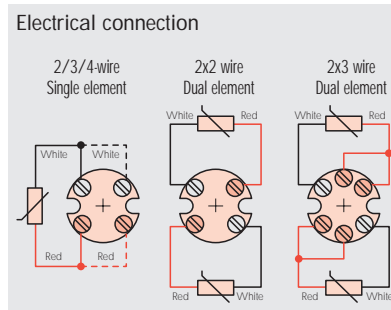
Certificata ISO 9002  
Centro taratura SIT **JTC**

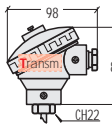
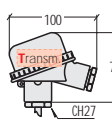
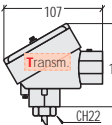
ELSI s.r.l. - via Milano, 11 - 20020 Lainate (MI)  
Tel.: (02) 9370868 / 9373042 - Fax: (02) 9371724  
Home page: www.elsi.it • e-mail: info@elsi.it

# Middle-pressure Mgo sensors with replaceable insertion



**R6** Straight/tapered RTD, 10 and 13.5mm o.d., with connection head and flanged attaching device



| Connection head  | Diameter*<br>ø G mm | Base code | Value in Ω<br>à 0°C                | Element N°<br>and limits               | Type<br>of RTD          | Clamp<br>material | Sheath<br>LG mm | Tapering<br>øR x LR mm   | Type<br>of flange | Extension<br>LE mm                   |                                |  |      |      |                        |                     |  |
|--|---------------------|-----------|------------------------------------|--|-------------------------|-------------------|-----------------|--------------------------|-------------------|--------------------------------------|--------------------------------|--|------|------|------------------------|---------------------|--|
| Standard IP67, optional Transmitter **<br>  | 10                  | R6 S10    | P Pt100<br>DIN - IEC               | 0 3-wire single el.<br>Cl. B (1/2 DIN) | 0 Ceramic<br>750 °C max | B AISI 316        | 0150            | 6 D8 x 60<br>for ø 10    | A DN 25<br>PN 16  | 05 50                                |                                |  |      |      |                        |                     |  |
|  | 13.5                | R6 S13    |                                    |  |                         |                   |                 |                          |                   |                                      |                                |  |      |      |                        |                     |  |
|  | 10 + T              | R6 T10    |                                    |  |                         |                   |                 |                          |                   |                                      |                                |  |      |      |                        |                     |  |
|  | 13.5 + T            | R6 T13    |                                    |  |                         |                   |                 |                          |                   |                                      |                                |  |      |      |                        |                     |  |
| Nylon IP65, optional Transmitter **<br>     | 10                  | R6 N10    |                                    | 1 3-wire single el.<br>Cl. A (1/2 DIN) |                         |                   | 0200            | 7 D10 x 60<br>for ø 13.5 | B DN 25<br>PN 40  | 08 80                                |                                |  |      |      |                        |                     |  |
|  | 13.5                | R6 N13    |                                    |  |                         |                   |                 |                          |                   |                                      |                                |  |      |      |                        |                     |  |
|  | 10 + T              | R6 Y10    |                                    |  |                         |                   |                 |                          |                   |                                      |                                |  |      |      |                        |                     |  |
|  | 13.5 + T            | R6 Y13    |                                    |  |                         |                   |                 |                          |                   |                                      |                                |  |      |      |                        |                     |  |
|  |                     |           |                                    |  |                         |                   |                 |                          |                   |                                      |                                |  |      |      |                        |                     |  |
| EEx d IIB IP65, optional Transmitter **<br> | 10                  | R6 X10    |                                    | 2 3-wire single el.<br>1/3 DIN         |                         |                   | 0250            |                          | C DN 40<br>PN 16  | 10 100                               |                                |  |      |      |                        |                     |  |
|  | 13.5                | R6 X13    |                                    |  |                         |                   |                 |                          |                   |                                      |                                |  |      |      |                        |                     |  |
|  | 10 + T              | R6 U10    |                                    |  |                         |                   |                 |                          |                   |                                      |                                |  |      |      |                        |                     |  |
|  | 13.5 + T            | R6 U13    |                                    |  |                         |                   |                 |                          |                   |                                      |                                |  |      |      |                        |                     |  |
|  |                     |           |                                    |  |                         |                   |                 |                          |                   |                                      |                                |  |      |      |                        |                     |  |
|  |                     |           |                                    | 3 4-wire single el.<br>1/3 DIN         |                         |                   | 0300            |                          | D DN 40<br>PN 40  |                                      |                                |  |      |      |                        |                     |  |
|  |                     |           |                                    |  |                         |                   |                 |                          |                   |                                      | 4 4-wire single el.<br>1/3 DIN |  |      | 0350 |                        | E 1" ANSI<br>150 RF |  |
|  |                     |           |                                    |  |                         |                   |                 |                          |                   |                                      |                                |  |      |      |                        |                     |  |
|  |                     |           | 6 6-wire dual el.<br>Cl. B (1 DIN) |  |                         | 0450              |                 | G 1" ANSI<br>300 RF      |                   |                                      |                                |  |      |      |                        |                     |  |
|  |                     |           |                                    |  |                         |                   |                 |                          |                   | 7 6-wire dual el.<br>Cl. A (1/2 DIN) |                                |  | 0500 |      | H 1"1/2 ANSI<br>300 RF |                     |  |
|  |                     |           | 8 6-wire dual el.<br>1/3 DIN       |  |                         |                   |                 |                          |                   |                                      |                                |  |      |      |                        |                     |  |
|  |                     |           |                                    |  |                         |                   | L min<br>0100   |                          |                   |                                      |                                |  |      |      |                        |                     |  |

Note:  
\* ø 6 insertion  
\*\* Transmitter for single element only

Note: other lengths on request for LG and LE. Code ex.: LG = 135mm cod. 0135 / = 60mm cod. 06

Reference model :

Flanged/tapered RTD, standard head, 10mm sheath o.d., 3-wire Pt100 single element, class B (1 DIN), ceramic element, AISI 316 sheath, 150mm length, 8x60 tapering, DN 25 PN16 flanged attaching device, 50mm extension, with MgO replaceable insertion.

**R6 S10 - P 0 0 - B 0150 . 6 - A 05**

□ - □ □ □ - □ □ □ . □ - □ □ □

