

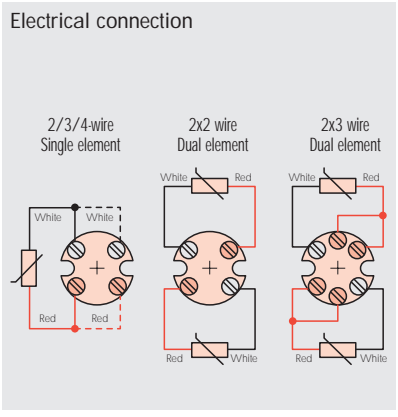
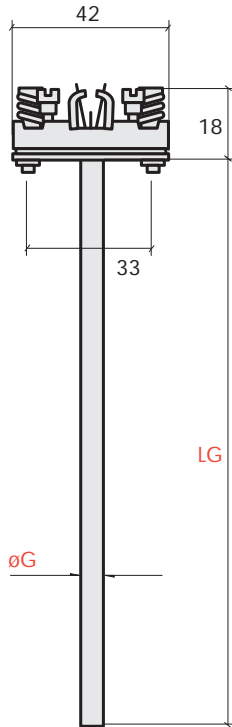


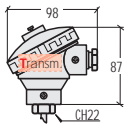
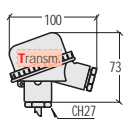
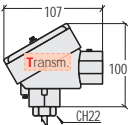
Certificata ISO 9002
Centro taratura SIT **JTC**

ELSI s.r.l. - via Milano, 11 - 20020 Lainate (MI)
Tel.: (02) 9370868 / 9373042 - Fax: (02) 9371724
Home page: www.elsi.it • e-mail: info@elsi.it

MgO spring-loaded replaceable insertion

R9 Straight RTD,
o.d. 6 and 8 mm
(suitable for sensors
of **S** series)



Compatible connection heads	Diameter ø G mm	Base code	Value in Ω à 0°C	Element N° and limits	Type of RTD	Clamp material	Sheath LG mm
Standard IP67, optional Transmitter * 	6	R9 O60	P Pt100 DIN - IEC	0 3-wire single el. Cl. B (1 DIN)	0 Ceramic 750 °C max	B AISI 316	0100
	8	R9 O80		1 3-wire single el. Cl. A (1/2 DIN)			0150
	6 + T	R9 T60		2 3-wire single el. 1/3 DIN			0200
	8 + T	R9 T80		3 4-wire single el. Cl. A (1/2 DIN)			0250
Nylon IP65, optional Transmitter * 				4 4-wire single el. 1/3 DIN			0300
				5 4-wire dual Cl. B (1 DIN)			0350
				6 6-wire dual el. Cl. B (1 DIN)			0400
EEx d IIB IP65, optional Transmitter * 				7 6-wire dual el. Cl. A (1/2 DIN)			0450
			8 6-wire dual el. 1/3 DIN	0500			
Note:							L min
* Transmitter for single element only							0050

Note: other lengths on request for LG. Code ex.: LG = 135mm cod. 0135

R9 O60 - P 0 0 - B 0100

□ - □ □ □ - □ □ □

Reference model :
Straight-insertion RTD, 6mm sheath o.d., 3-wire Pt100 DIN-IEC single element, ceramic element, AISI 316 sheath, 100mm length, MgO insulation.



Grafica e pubblicità - G&P s.p.a. - info@elpress.it