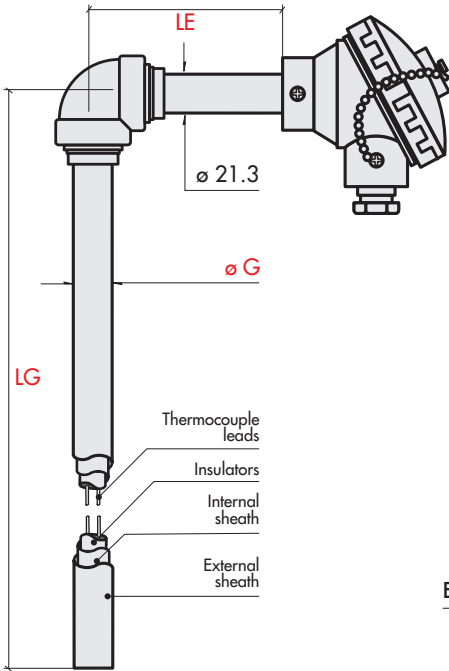
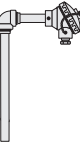




## High temperature sensors

90° bended thermocouple for salt baths and metal foundings,  $\varnothing$  15 to  $\varnothing$  33mm, with connection head



### Electrical connection



Connection head	Diameter $\varnothing$ G mm	Base code	Thermocouple type	Element N° and limits	Hot junction	Sheath material	Sheath LG mm	Internal sheath material	Type of thread	Extension LE mm	
Standard IP67 	15	<b>M4 S15</b>	<b>K</b> NiCr - Ni DIN - IEC / 800°C max	<b>0</b> Single Cl. 2 (standard)	<b>0</b>	<b>B</b> AISI 316	<b>0300</b>	<b>0</b> None	<b>S</b> None	<b>20</b> 200	
	21,3	<b>M4 S21</b>									
	26	<b>M4 S26</b>	<b>N</b> NiCrSi-NiSi DIN - IEC	<b>1</b> Dual Cl. 2 (standard)		<b>D</b> AISI 310	<b>0350</b>	<b>1</b> DIN 610	<b>30</b> 300		
	33,2	<b>M4 S33</b>									
II 2G Ex db IIC Gb IP67 	15	<b>M4 X15</b>	<b>2</b> Single Cl. 1 (special)	<b>E</b> AISI 446 only 21.3	<b>0400</b>	<b>2</b> DIN 710	<b>40</b> 400				
	21,3	<b>M4 X21</b>									
	26	<b>M4 X26</b>	<b>3</b> Dual Cl. 1 (special)					<b>F</b> AISI 304	<b>0450</b>	<b>5</b> En MgO (Inconel 600)	<b>50</b> 500
	33,2	<b>M4 X33</b>									
									<b>0500</b>	<b>99</b> 1000	
				<b>0600</b>							
				<b>0700</b>							
				<b>1000</b>							
				<b>1200</b>							
				L min	<b>0200</b>						

Note: for LG and LE other lengths upon request. Code example: LG = 135mm cod. 0135 / LE = 60mm cod. 060

Product code example: **M4 S21 - K 0 0 - B 0300 • 0 - S 30**

90° bended thermocouple, standard head,  $\varnothing$  21.3mm sheath, single elem., class 2 acc., ungrounded junction, AISI 316 sheath, 300mm length, no inside sheath, 300 mm extension.