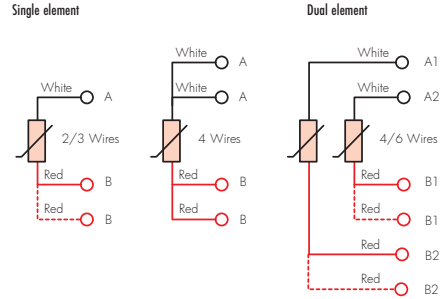
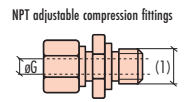


Connections



Mounting Fittings (see data sheet Z1 Accessories)

(for models without fixed attaching device only)



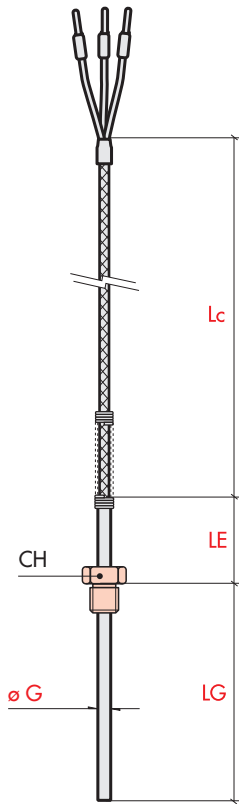
Material	Type of thread (1)	øG	Code
AISI 316	1/8" G	4	Z1 RFS-B/EO40
	1/8" NPT	4	Z1 RFS-B/MO40
	1/8" G	5	Z1 RFS-B/EO50
	1/8" NPT	5	Z1 RFS-B/MO50

General purpose sensor with wire

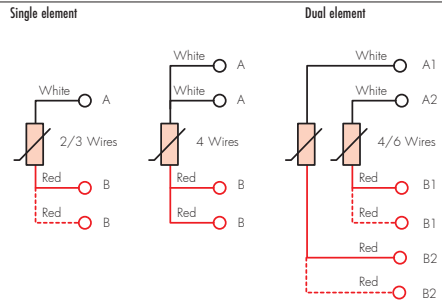
Straight RTD, ø 3 to ø 5 mm, optional fixed screw fitting

DATA SHEET

Type of wire	Diam. øG mm	Base code	Value in Ω at 0°C	Element N° and limits	Type of RTD	Sheath material	Sheath LG mm	Type of thread	Extension LE mm	Wire length Lc m	Type of termination
TS 0 200°C max	3	<b>A2 D30</b>	<b>P</b> Pt100 DIN - IEC	<b>0</b> 3-wire single Cl. B (1 DIN)	<b>0</b> Ceramic 750 °C max*	<b>B</b> AISI 316	<b>0050</b>	<b>S</b> None	<b>00</b> None	<b>05</b> 0.5	<b>P</b> Terminals ø 1.4 - 1.8 max
TT 0 220°C max	3	<b>A2 E30</b>									
Ts T 220°C max	3	<b>A2 G30</b>	<b>2</b> 3-wire single 1/3 DIN*	<b>0150</b>	<b>H</b> 3/8" Gas L15 - CH - 22	<b>03</b> 30	<b>15</b> 1.5	<b>15</b> 1.5	<b>G</b> Standard plug***		
EEs - stn 300°C max	4	<b>A2 A40</b>								<b>3</b> 4-wire single Cl. A (1/2 DIN)	<b>0200</b>
EEs - inox 350°C max	4	<b>A2 B40</b>	<b>4</b> 4-wire single 1/3 DIN**/**	<b>0250</b>	<b>05</b> 50	<b>25</b> 2.5	<b>25</b> 2.5	<b>25</b> 2.5			
TS 0 200°C max	4	<b>A2 D40</b>							<b>5</b> 4-wire dual Cl. B (1 DIN)**	<b>0300</b>	<b>08</b> 80
TT 0 220°C max	4	<b>A2 E40</b>	<b>6</b> 6-wire dual Cl. B (1 DIN)**	<b>0350</b>	<b>35</b> 3.5	<b>35</b> 3.5	<b>35</b> 3.5	<b>35</b> 3.5			
SS 0 200°C max	4	<b>A2 F40</b>							<b>7</b> 6-wire dual Cl. A (1/2 DIN)**	<b>0400</b>	<b>40</b> 4
Ts T 220°C max	4	<b>A2 G40</b>	<b>8</b> 6-wire dual 1/3 DIN**/**	<b>0450</b>	<b>45</b> 4.5	<b>45</b> 4.5	<b>45</b> 4.5	<b>45</b> 4.5			
EEs - stn 300°C max	5	<b>A2 A50</b>							<b>A</b> 2-wire single Cl. B (1 DIN)	<b>0500</b>	<b>50</b> 5
EEs - inox 350°C max	5	<b>A2 B50</b>	<b>C</b> 4-wire single 1/5 DIN**/**	<b>0550</b>	<b>55</b> 5.5	<b>55</b> 5.5	<b>55</b> 5.5	<b>55</b> 5.5			
TS 0 200°C max	5	<b>A2 D50</b>							<b>L min</b>	<b>0600</b>	<b>60</b> 6
TT 0 220°C max	5	<b>A2 E50</b>	<b>00</b> 10	<b>0650</b>	<b>65</b> 6.5	<b>65</b> 6.5	<b>65</b> 6.5	<b>65</b> 6.5			
SS 0 200°C max	5	<b>A2 F50</b>							<b>0700</b>	<b>70</b> 7	<b>70</b> 7
Ts T 220°C max	5	<b>A2 G50</b>	<b>0750</b>	<b>75</b> 7.5	<b>75</b> 7.5	<b>75</b> 7.5	<b>75</b> 7.5	<b>75</b> 7.5			
									<b>0800</b>	<b>80</b> 8	<b>80</b> 8
			<b>0850</b>	<b>85</b> 8.5	<b>85</b> 8.5	<b>85</b> 8.5	<b>85</b> 8.5	<b>85</b> 8.5			
									<b>0900</b>	<b>90</b> 9	<b>90</b> 9
			<b>0950</b>	<b>95</b> 9.5	<b>95</b> 9.5	<b>95</b> 9.5	<b>95</b> 9.5	<b>95</b> 9.5			
									<b>1000</b>	<b>100</b> 10	<b>100</b> 10
			<b>1050</b>	<b>105</b> 10.5	<b>105</b> 10.5	<b>105</b> 10.5	<b>105</b> 10.5	<b>105</b> 10.5			
									<b>1100</b>	<b>110</b> 11	<b>110</b> 11
			<b>1150</b>	<b>115</b> 11.5	<b>115</b> 11.5	<b>115</b> 11.5	<b>115</b> 11.5	<b>115</b> 11.5			
									<b>1200</b>	<b>120</b> 12	<b>120</b> 12
			<b>1250</b>	<b>125</b> 12.5	<b>125</b> 12.5	<b>125</b> 12.5	<b>125</b> 12.5	<b>125</b> 12.5			
									<b>1300</b>	<b>130</b> 13	<b>130</b> 13
			<b>1350</b>	<b>135</b> 13.5	<b>135</b> 13.5	<b>135</b> 13.5	<b>135</b> 13.5	<b>135</b> 13.5			
									<b>1400</b>	<b>140</b> 14	<b>140</b> 14
			<b>1450</b>	<b>145</b> 14.5	<b>145</b> 14.5	<b>145</b> 14.5	<b>145</b> 14.5	<b>145</b> 14.5			
									<b>1500</b>	<b>150</b> 15	<b>150</b> 15
			<b>1550</b>	<b>155</b> 15.5	<b>155</b> 15.5	<b>155</b> 15.5	<b>155</b> 15.5	<b>155</b> 15.5			
									<b>1600</b>	<b>160</b> 16	<b>160</b> 16
			<b>1650</b>	<b>165</b> 16.5	<b>165</b> 16.5	<b>165</b> 16.5	<b>165</b> 16.5	<b>165</b> 16.5			
									<b>1700</b>	<b>170</b> 17	<b>170</b> 17
			<b>1750</b>	<b>175</b> 17.5	<b>175</b> 17.5	<b>175</b> 17.5	<b>175</b> 17.5	<b>175</b> 17.5			
									<b>1800</b>	<b>180</b> 18	<b>180</b> 18
			<b>1850</b>	<b>185</b> 18.5	<b>185</b> 18.5	<b>185</b> 18.5	<b>185</b> 18.5	<b>185</b> 18.5			
									<b>1900</b>	<b>190</b> 19	<b>190</b> 19
			<b>1950</b>	<b>195</b> 19.5	<b>195</b> 19.5	<b>195</b> 19.5	<b>195</b> 19.5	<b>195</b> 19.5			
									<b>2000</b>	<b>200</b> 20	<b>200</b> 20
			<b>2050</b>	<b>205</b> 20.5	<b>205</b> 20.5	<b>205</b> 20.5	<b>205</b> 20.5	<b>205</b> 20.5			
									<b>2100</b>	<b>210</b> 21	<b>210</b> 21
			<b>2150</b>	<b>215</b> 21.5	<b>215</b> 21.5	<b>215</b> 21.5	<b>215</b> 21.5	<b>215</b> 21.5			
									<b>2200</b>	<b>220</b> 22	<b>220</b> 22
			<b>2250</b>	<b>225</b> 22.5	<b>225</b> 22.5	<b>225</b> 22.5	<b>225</b> 22.5	<b>225</b> 22.5			
									<b>2300</b>	<b>230</b> 23	<b>230</b> 23
			<b>2350</b>	<b>235</b> 23.5	<b>235</b> 23.5	<b>235</b> 23.5	<b>235</b> 23.5	<b>235</b> 23.5			
									<b>2400</b>	<b>240</b> 24	<b>240</b> 24
			<b>2450</b>	<b>245</b> 24.5	<b>245</b> 24.5	<b>245</b> 24.5	<b>245</b> 24.5	<b>245</b> 24.5			
									<b>2500</b>	<b>250</b> 25	<b>250</b> 25
			<b>2550</b>	<b>255</b> 25.5	<b>255</b> 25.5	<b>255</b> 25.5	<b>255</b> 25.5	<b>255</b> 25.5			
									<b>2600</b>	<b>260</b> 26	<b>260</b> 26
			<b>2650</b>	<b>265</b> 26.5	<b>265</b> 26.5	<b>265</b> 26.5	<b>265</b> 26.5	<b>265</b> 26.5			
									<b>2700</b>	<b>270</b> 27	<b>270</b> 27
			<b>2750</b>	<b>275</b> 27.5	<b>275</b> 27.5	<b>275</b> 27.5	<b>275</b> 27.5	<b>275</b> 27.5			
									<b>2800</b>	<b>280</b> 28	<b>280</b> 28
			<b>2850</b>	<b>285</b> 28.5	<b>285</b> 28.5	<b>285</b> 28.5	<b>285</b> 28.5	<b>285</b> 28.5			
									<b>2900</b>	<b>290</b> 29	<b>290</b> 29
			<b>2950</b>	<b>295</b> 29.5	<b>295</b> 29.5	<b>295</b> 29.5	<b>295</b> 29.5	<b>295</b> 29.5			
									<b>3000</b>	<b>300</b> 30	<b>300</b> 30
			<b>3050</b>	<b>305</b> 30.5	<b>305</b> 30.5	<b>305</b> 30.5	<b>305</b> 30.5	<b>305</b> 30.5			
									<b>3100</b>	<b>310</b> 31	<b>310</b> 31
			<b>3150</b>	<b>315</b> 31.5	<b>315</b> 31.5	<b>315</b> 31.5	<b>315</b> 31.5	<b>315</b> 31.5			
									<b>3200</b>	<b>320</b> 32	<b>320</b> 32
			<b>3250</b>	<b>325</b> 32.5	<b>325</b> 32.5	<b>325</b> 32.5	<b>325</b> 32.5	<b>325</b> 32.5			
									<b>3300</b>	<b>330</b> 33	<b>330</b> 33
			<b>3350</b>	<b>335</b> 33.5	<b>335</b> 33.5	<b>335</b> 33.5	<b>335</b> 33.5	<b>335</b> 33.5			
									<b>3400</b>	<b>340</b> 34	<b>340</b> 34
			<b>3450</b>	<b>345</b> 34.5	<b>345</b> 34.5	<b>345</b> 34.5	<b>345</b> 34.5	<b>345</b> 34.5			
									<b>3500</b>	<b>350</b> 35	<b>350</b> 35
			<b>3550</b>	<b>355</b> 35.5	<b>355</b> 35.5	<b>355</b> 35.5	<b>355</b> 35.5	<b>355</b> 35.5			
									<b>3600</b>	<b>360</b> 36	<b>360</b> 36
			<b>3650</b>	<b>365</b> 36.5	<b>365</b> 36.5	<b>365</b> 36.5	<b>365</b> 36.5	<b>365</b> 36.5			
									<b>3700</b>	<b>370</b> 37	<b>370</b> 37
			<b>3750</b>	<b>375</b> 37.5	<b>375</b> 37.5	<b>375</b> 37.5	<b>375</b> 37.5	<b>375</b> 37.5			



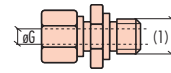
Connections



Mounting Fittings (see data sheet Z1 Accessories)

(for models without fixed attaching device only)

NPT adjustable compression fittings



Material	Type of thread (1)	øG	Code
AISI 316	1/4"G	6	Z1 RFS-B/FO60
	1/2"G	6	Z1 RFS-B/IO60
	1/4"G	8	Z1 RFS-B/FO80
	1/2"G	8	Z1 RFS-B/IO80
Treated brass	1/4"G	6	Z1 RFS-O/FO60
	1/2"G	6	Z1 RFS-O/IO60
	1/4"G	8	Z1 RFS-O/FO80
	1/2"G	8	Z1 RFS-O/IO80

General purpose sensor with wire

Straight RTD, ø 6 to ø 8 mm, optional fixed screw fitting

Type of wire	Diam. øG mm	Base code	Value in Ω at 0°C	Element N° and limits	Type of RTD	Sheath material	Sheath LG mm	Type of thread	Extension LE mm	Wire length Lc m	Type of termination
EEs - stn 300°C max	6	<b>A2 A60</b>	<b>P</b> Pt100 DIN - IEC	<b>0</b> 3-wire single Cl. B (1 DIN)	<b>0</b> Ceramic 750 °C max*	<b>B</b> AISI 316	<b>0050</b>	<b>S</b> None	<b>00</b> None	<b>05</b> 0.5	<b>P</b> Terminals ø 1.4 - 1.8 max
EEs - inox 350°C max	6	<b>A2 B60</b>									
TS 0 200°C	6	<b>A2 D60</b>	<b>2</b> 3-wire single 1/3 DIN*	<b>3</b> 4-wire single Cl. A (1/2 DIN)	<b>0150</b>	<b>H</b> 3/8" Gas L15 - CH - 22	<b>03</b> 30	<b>15</b> 1.5	<b>G</b> Standard plug **		
TT 0 220°C max	6	<b>A2 E60</b>								<b>4</b> 4-wire single 1/3 DIN*	<b>5</b> 4-wire dual Cl. B (1 DIN)
SS 0 200°C max	6	<b>A2 F60</b>	<b>6</b> 6-wire dual Cl. B (1 DIN)	<b>7</b> 6-wire dual Cl. A (1/2 DIN)	<b>0250</b>	<b>05</b> 50	<b>08</b> 80	<b>25</b> 2.5	<b>30</b> 3		
Ts T 220°C max	6	<b>A2 G60</b>								<b>8</b> 6-wire dual 1/3 DIN*	<b>A</b> 2-wire single Cl. B (1 DIN)
Ts S 200°C max	6	<b>A2 P60</b>	<b>C</b> 4-wire single 1/5 DIN*	<b>0450</b>	<b>0500</b>	<b>0400</b>	<b>0450</b>	<b>45</b> 4.5	<b>50</b> 5		
EEs - stn 300°C max	8	<b>A2 A80</b>								<b>L min</b>	<b>0020</b>
EEs - inox 350°C max	8	<b>A2 B80</b>	<b>0020</b>	<b>0450</b>	<b>0500</b>	<b>0400</b>	<b>0450</b>	<b>50</b> 5	<b>00</b> 10		
TS 0 200°C max	8	<b>A2 D80</b>								<b>0020</b>	<b>0450</b>
TT 0 220°C max	8	<b>A2 E80</b>	<b>0020</b>	<b>0450</b>	<b>0500</b>	<b>0400</b>	<b>0450</b>	<b>50</b> 5	<b>00</b> 10		
SS 0 200°C max	8	<b>A2 F80</b>								<b>0020</b>	<b>0450</b>
Ts T 220°C max	8	<b>A2 G80</b>	<b>0020</b>	<b>0450</b>	<b>0500</b>	<b>0400</b>	<b>0450</b>	<b>50</b> 5	<b>00</b> 10		
Ts S 200°C max	8	<b>A2 P80</b>								<b>0020</b>	<b>0450</b>
			<b>0020</b>	<b>0450</b>	<b>0500</b>	<b>0400</b>	<b>0450</b>	<b>50</b> 5	<b>00</b> 10		
										<b>0020</b>	<b>0450</b>

Note: for LG, LE and Lc other lengths upon request. Code example: LG = 135mm cod. 0135 / LE = 60mm cod. 06 / Lc = 7m cod. 70, \* Not valid if RTD is Y, \*\* Non available with 4 wires.

Product code example: **A2 A60 - P00 - B0100 - S00 - 10P**

Straight RTD with tinned EEs wire, 6mm sheath o.d., 3-wire Pt100 single el., class B (1 DIN), ceramic element, AISI 316 sheath, 100mm length, no compression fitting, no extension, 1m wire and ø 1.8 terminals.