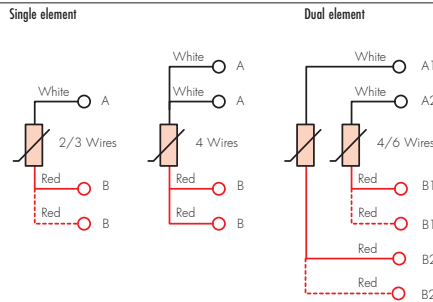
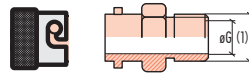


Connections



Mounting fittings included

Bayonet assembly sizes



Material	Type of thread (1)	øG
AISI 316	1/4" Gas	8.3
	3/8" Gas	8.3
	1/2" Gas	8.3
Ottone trattato	3/8" Gas	8.3
	12 x 1.5	8.3
	14 x 1.5	8.3
	8 x 1	5.2
	10 x 1.5	5.2
	1/8" Gas	5.2

Special purpose sensors

RTD for plastics/rubber with bayonet lock from ø 5 up to ø 8, connection wire and adjustable bayonet assembly

Type of wire	Diam. øG mm	Base code	Value in Ω at 0°C	Element N° and limits	Type of RTD	Sheath material	Sheath LG mm	Type of thread (1)	Lung. molla LM mm	Wire length Lc m	Type of termination
EEs - stn 300°C max	5	A1 A50	P Pt100 DIN - IEC	0 3-wire single Cl. B (1 DIN)	0 Ceramic 750 °C max	B AISI 316	0020	C M8 x 1 - L8.5 CH - 10 (ø5 only)	0 180	05 0.5	P Terminals ø 1.4 - 1.8 max
EEs - inox 350°C max	5	A1 B50		1 3-wire single Cl. A (1/2 DIN)			0030	E 1/8" Gas - L8.5 CH - 14 (ø5 only)	1 100	10 1	
EEs - stn 300°C max	6	A1 A60		2 3-wire single 1/3 DIN			0050	F 1/4" Gas - L12 CH - 17	2 250	15 1.5	D Miniature plug *
EEs - inox 350°C max	6	A1 B60		5 4-wire dual Cl. B (1 DIN)			0100	G M12 x 1.5 - L12 CH - 17	3 300	20 2	
EEs - stn 300°C max	8	A1 A80		6 6-wire dual Cl. B (1 DIN)				H 3/8" Gas - L15 CH - 22	4 150	25 2.5	G Standard plug *
EEs - inox 350°C max	8	A1 B80							5 50	30 3	S Insul. and tinned leads
										35 3.5	
										40 4	
										45 4.5	
										50 5	
										00 10	
							L min				
							0015				

Note: for LG and Lc other lengths upon request. Code example: LG = 135mm cod. 0135 / Lc = 7m cod. 70, * Non available with 4 wires.

Product code example: **B1 A80 - P00 - B0020 - F0 - 10 P**

Spring-loaded RTD with tinned EEs wire, 8 diam. sheath, 3-wire Pt100 single elem., class B (1 DIN), ceramic element, AISI 316 sheath, 20mm length, 1/4" Gas mounting fitting, 180mm spring, 1m connection wire and ø 1.8 terminals.