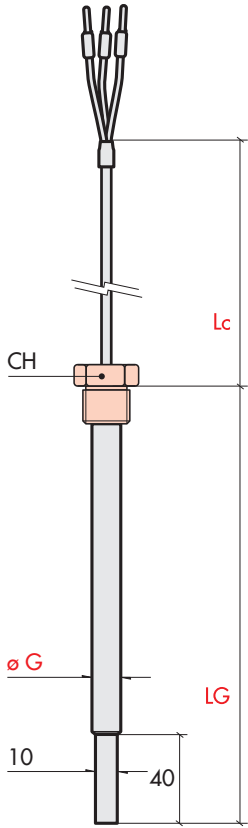


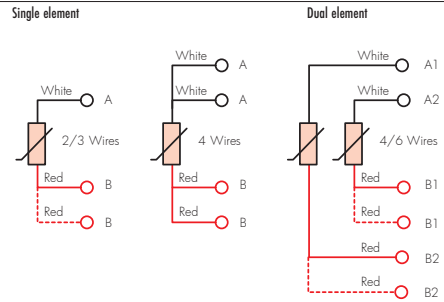


Probes for detecting in acid solutions

Straight/tapered RTD, \varnothing 13 mm, extension wire and fixed screw fitting



Connections



Type of wire	Diam. \varnothing mm	Base code	Value in Ω at 0°C	Element N° and limits	Type of RTD	Sheath material	Sheath \varnothing mm	Type of thread	Wire length L_c m	Type of termination
TS 0 200°C max	13	B3 D13	P Pt100 DIN - IEC	0 3-wire single Cl. B (1 DIN)	0 Ceramic 750 °C max*	W Teflon	0100	S None	05 0.5	P
Ts T 220°C max	13	B3 G13	Y Pt1000 DIN - IEC	1 3-wire single Cl. A (1/2 DIN)	1 Thin film 250 °C max		0150	H 3/8" Gas L15 CH - 22	10 1	D
				2 3-wire single 1/3 DIN*			0200	I 1/2" Gas L14 CH - 24	15 1.5	G
				3 4-wire single Cl. A (1/2 DIN)			0250		20 2	S
				4 4-wire single 1/3 DIN*			0300		25 2.5	
				5 4-wire dual Cl. B (1 DIN)			0350		30 3	
				6 6-wire dual Cl. B (1 DIN)			0400		35 3.5	
				7 6-wire dual Cl. A (1/2 DIN)			0450		40 4	
				8 6-wire dual 1/3 DIN*			0500		45 4.5	
									50 5	
									00 10	
							L min 0080			

Note: for **LG** and **Lc** other lengths upon request. Code example: **LG** = 135mm cod. **0135** / **Lc** = 7m cod. **70**, * Not valid if RTD is Y, ** Non available with 4 wires.

Product code example: **B3 D13 - P 0 0 - W 0100 - H - 10 P**

Straight/tapered RTD with TS 0 wire, 13mm diam. sheath, 3-wire Pt100 single elem., class B (1 DIN), ceramic element, Teflon sheath, 100mm length, 3/8" Gas attaching device, 1m wire and \varnothing 1.8mm terminals