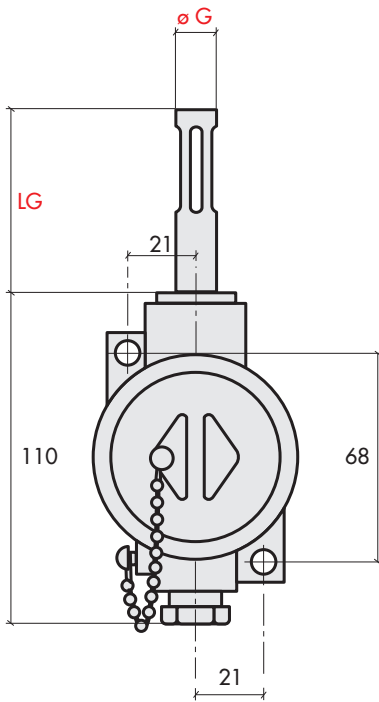


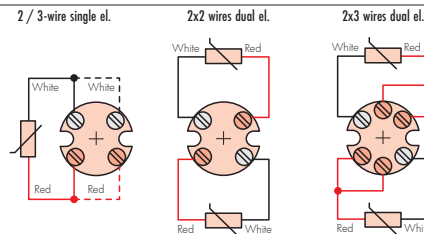


Sensors for aerothematical detection

Fast response RTD
with drilled tip
and wall-mounting
connection case



Electrical connections



Connection case	Diam. øG mm	Base code	Value in Ω at 0°C	Element N° and limits	Type of RTD	Sheath material	Sheath LG mm
Painted aluminium IP67 case, optional Transmitter *	10	E5 P10	P Pt100 DIN - IEC	0 3-wire single Cl. B (1 DIN)	3 Sealed 250 °C max	B AISI 316	0060
	10 + T	E5 Q10	Y Pt1000 DIN - IEC	1 3-wire single Cl. A (1/2 DIN)			
				2 3-wire single 1/3 DIN **			
				3 4-wire single Cl. A (1/2 DIN)			
				4 4-wire single 1/3 DIN **			
				5 4-wire dual Cl. B (1 DIN)			
				6 6-wire dual Cl. B (1 DIN)			
				7 6-wire dual Cl. A (1/2 DIN)			
							Fixed

Note: * Transmitter for single element only, ** Not valid if RTD is Y

Product code example: **E5 P10 - P03 - B0060**

Drilled RTD, wall-mounting case, ø 10mm AISI 316 sheath, 3-wire Pt100 single element, class B (1 DIN), sealed element, 60mm length.