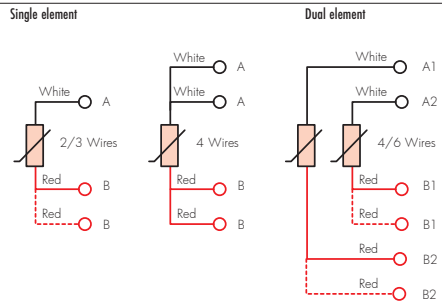


Food-industry sensors

Straight needle-end RTD, ø 3 to ø 5 mm

Connections



Type of wire	Diam. øG mm	Base code	Value in Ω at 0°C	Element N° and limits	Type of RTD	Sheath material	Sheath LG mm	Wire length Lc m	Type of termination
TS 0 200°C max	3	J5 D30	P Pt100 DIN - IEC	0 3-wire single Cl. B (1 DIN)	0 Ceramic 750 °C max **	B AISI 316	0145	05 0.5	P Terminals ø 1.4 - 1.8 max
TsS 200°C max	3	J5 P30	Y Pt1000 DIN - IEC	1 3-wire single Cl. A (1/2 DIN)	1 Thin film 250 °C max		0150	10 1	
TS 0 200°C max	4	J5 D40		2 3-wire single 1/3 DIN **			0200	15 1.5	S Insul. and tinned leads
TsS 200°C max	4	J5 P40		3 4-wire single Cl. A (1/2 DIN)			0250	20 2	
TS 0 200°C max	5	J5 D50		4 4-wire single 1/3 DIN **			0300	25 2.5	
TsS 200°C max	5	J5 P50		6 6-wire dual Cl. B (1 DIN) *			0350	30 3	
				7 6-wire dual Cl. A (1/2 DIN) *			0400	35 3.5	
				8 6-wire dual 1/3 DIN */**			0450	40 4	
				C 4-wire single 1/5 DIN **			0500	45 4.5	
								50 5	
								00 10	
							L min 0100		

Note: for LG and Lc other lengths upon request. Code example: LG = 135mm cod. 0135 / Lc = 7m cod. 70, * Not valid if wire <>Ts 0, ** Not valid if RTD is Y.

Product code example: **J5 P50 - P00 - B0145 - 10 P**

Straight RTD with TsS wire - ø 5mm sheath, 3-wire Pt100 single element, class B (1 DIN), ceramic element, AISI 316 sheath, 145mm length, 1m wire and ø 1.8mm terminals