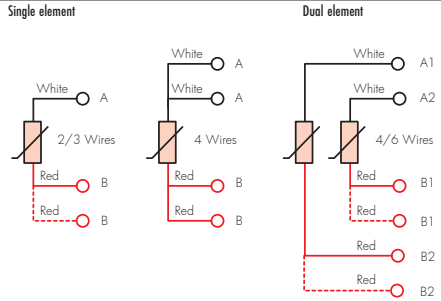
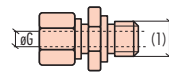


Connections



Mounting Fittings (see data sheet Z1 Accessories)

NPT adjustable compression fittings



Material	Type of thread (1)	øG	Code
AISI 316	1/8" G	3	Z1 RFS-B/E030
	1/8" NPT	3	Z1 RFS-B/MO30
	1/8" G	4.5	Z1 RFS-B/E045
	1/8" NPT	4.5	Z1 RFS-B/MO45
	1/4" G	6	Z1 RFS-B/F060
Treated brass	1/2" G	6	Z1 RFS-B/I060
	1/4" G	6	Z1 RFS-O/F060
	1/2" G	6	Z1 RFS-O/I060

General purpose MgO sensors

Straight RTD, ø 3 to ø 6 mm, with extended terminals

Type of Extension	Diam. øG mm	Base code	Value in Ω at 0°C	Element N° and limits	Type of RTD	Sheath material	Sheath LG mm	Wires f mm
PTFE insulated split leads	3	P2 T30	P Pt100 DIN - IEC	0 3-wire single Cl. B (1 DIN)	0 Ceramic 750 °C max	B AISI 316	0100	03 30
	4.5	P2 T45		1 3-wire single Cl. A (1/2 DIN)			0150	05 50
	6	P2 T60		2 3-wire single 1/3 DIN			0200	07 70
		3 4-wire single Cl. A (1/2 DIN)		0250				
		4 4-wire single 1/3 DIN		0300				
			0350					
			0400					
			0450					
			0500					
			L min 0080					

Note: for LG other lengths upon request. Code example: LG = 135mm cod. 0135 / LF = 65m cod. 65

Product code example: **P2 T60 - P00 - B0100 - 50**

Straight MgO RTD, ø 6mm sheath, 3-wire Pt 100 single element, class B (1 DIN), ceramic element, AISI 316 sheath, 100mm length with 50mm split leads.