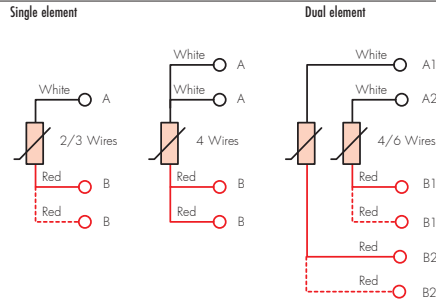


Connections



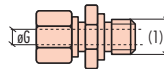
General purpose MgO sensors

90° angle RTD,  
ø from 4.5  
up to 8 mm, with plug

Mounting Fittings (see data sheet Z1 Accessories)

(for models without fixed attaching device only)

NPT adjustable compression fittings



Material	Type of thread (1)	øG	Code
AISI 316	1/8" G	4.5	Z1 RFS-B/E045
	1/8" NPT	4.5	Z1 RFS-B/M045
	1/4" G	6	Z1 RFS-B/F060
	1/2" G	6	Z1 RFS-B/I060
	1/4" G	8	Z1 RFS-B/F080
Treated brass	1/2" G	8	Z1 RFS-B/I080
	1/4" G	6	Z1 RFS-O/F060
	1/2" G	6	Z1 RFS-O/I060
	1/4" G	8	Z1 RFS-B/F080
	1/2" G	8	Z1 RFS-B/I080

Plug	Diam. øG mm	Base code	Value in Ω at 0°C	Element N° and limits	Type of RTD	Sheath material	Sheath LG mm	Extension LE mm
Standard plug 	4.5	<b>P4 G45</b>	<b>P</b> Pt100 DIN - IEC	<b>0</b> 3-wire single Cl. B (1 DIN)	<b>0</b> Ceramic 750 °C max *	<b>B</b> AISI 316	<b>0100</b>	<b>03</b> 30
	6	<b>P4 G60</b>					<b>0150</b>	<b>05</b> 50
	8	<b>P4 G80</b>	<b>0200</b>	<b>08</b> 80				
Miniature plug 	4.5	<b>P4 D45</b>	<b>Y</b> Pt1000 DIN - IEC	<b>1</b> 3-wire single Cl. A (1/2 DIN)	<b>1</b> Thin film 250 °C max		<b>0250</b>	
							<b>0300</b>	
							<b>0350</b>	
							<b>0400</b>	
							<b>0450</b>	
					<b>0500</b>			
						L min	<b>0080</b>	

Note: for LG and LE other lengths upon request. Code example: LG = 135mm cod. 0135 / LE = 60mm cod. 06, \* Not valid if RTD is Y

Product code example: **P4 G45 - P00 - B0100 - 03**

90° angle MgO RTD, standard plug, ø 4.5 sheath, 3-wire Pt100 single element, class B (1 DIN), ceramic element, AISI 316 sheath, 100mm length, 30mm extension.