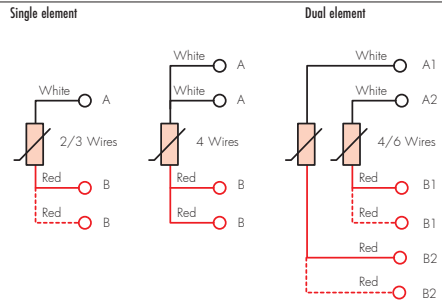


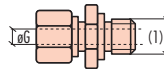
Connections



Mounting Fittings (see data sheet Z1 Accessories)

(for models without fixed attaching device only)

NPT adjustable compression fittings



Material	Type of thread (1)	øG	Code
AISI 316	1/8" G	3	Z1 RFS-B/EO30
	1/8" NPT	3	Z1 RFS-B/MO30
	1/8" G	4.5	Z1 RFS-B/EO45
	1/8" NPT	4.5	Z1 RFS-B/MO45
	1/4" G	6	Z1 RFS-B/FO60
	1/2" G	6	Z1 RFS-B/IO60
	1/4" G	8	Z1 RFS-B/FO80
	1/2" G	8	Z1 RFS-B/IO80

General purpose MgO sensors

Straight RTD, from ø 3 up to ø 8 mm, connection wire, optional fixed attaching device

Material	Type of thread (1)	øG	Code
Treated brass	1/4" G	6	Z1 RFS-O/FO60
	1/2" G	6	Z1 RFS-O/IO60
	1/4" G	8	Z1 RFS-O/FO80
	1/2" G	8	Z1 RFS-O/IO80

Type of wire	Diam. øG mm	Base code	Value in Ω at 0°C	Element N° and limits	Type of RTD	Sheath material	Sheath LG mm	Type of thread	Extension LE mm	Wire length Lc m	Type of termination
EEs - stn 300°C max	3	P5 A30	P Pt100 DIN - IEC	0 3-wire single Cl. B (1 DIN)	0 Ceramic 750 °C max*	B AISI 316	0100	S None	00 None	05 0.5	P Terminals ø 1.4 - 1.8 max
EEs - inox 350°C max	3	P5 B30									
SS 0 200°C max	3	P5 F30	Y Pt1000 DIN - IEC	2 3-wire single 1/3 DIN*			0200	H 3/8" Gas - L15 CH -22	03 30	15 1.5	G Standard plug ****
Ts T 220°C max	3	P5 G30									
Ts S 200°C max	3	P5 P30		4 4-wire single 1/3 DIN **/**			0300		08 80	25 2.5	
EEs - stn 300°C max	4,5	P5 A45		6 6-wire dual Cl. B (1 DIN) **/**			0350			30 3	
EEs - inox 350°C max	4,5	P5 B45		7 6-wire dual Cl. A (1/2 DIN) **/**			0400			35 3.5	
SS 0 200°C max	4,5	P5 F45		8 6-wire dual 1/3 DIN **/**			0450			40 4	
Ts T 220°C max	4,5	P5 G45		A 2-wire single Cl. B 1 DIN			0500			45 4.5	
Ts S 200°C max	4,5	P5 P45		C 4-wire single 1/3 DIN **/**						50 5	
EEs - stn 300°C max	6	P5 A60								00 10	
EEs - inox 350°C max	6	P5 B60									
SS 0 200°C max	6	P5 F60									
Ts T 220°C max	6	P5 G60									
Ts S 200°C max	6	P5 P60									
EEs - stn 300°C max	8	P5 A80									
EEs -inox 350°C max	8	P5 B80									
SS 0 200°C max	8	P5 F80									
Ts T 220°C max	8	P5 G80									
Ts S 200°C max	8	P5 P80									
							L min				
							0080				

Note: for LG, LE and Lc other lengths upon request. Code example: LG = 135mm cod. 0135 / LE = 60mm cod. 06 / Lc = 7m cod. 70, * Not valid if RTD is Y, ** Not valid if type of wire is F, *** Not valid if ø 3, **** Non available with 4 wires.

Product code example: **P5 A45 - P00 - B0100 - S00 - 10P**

Straight MgO RTD with tinned EEs wire, ø 4.5mm sheath, 3-wire Pt100 single element, class B (1 DIN), ceramic element, AISI316 sheath, 100mm length, no attaching device, no extension, 1m wire and ø 1.8mm terminals.