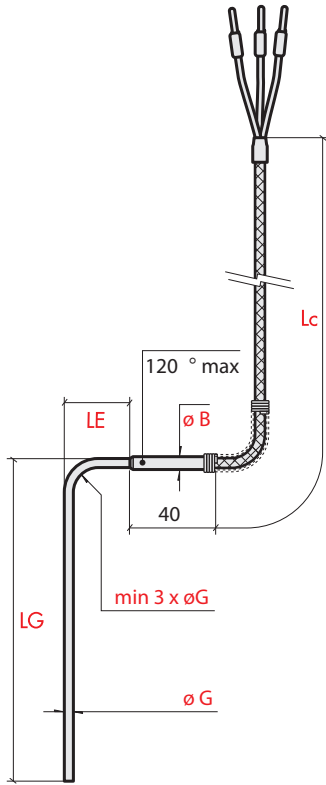


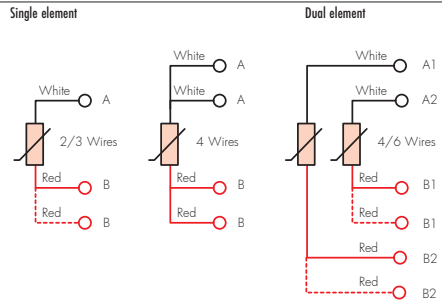


# General purpose MgO sensors

90° angle RTD, from  $\varnothing 3$  to  $\varnothing 6$  mm, with extension wire

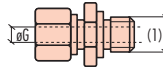


### Connections



### Mounting Fittings (see data sheet Z1 Accessories)

NPT adjustable compression fittings



Material	Type of thread (1)	øG	Code
AISI 316	1/8" G	3	Z1 RFS-B/EO30
	1/8" NPT	3	Z1 RFS-B/MO30
	1/8" G	4.5	Z1 RFS-B/EO45
	1/8" NPT	4.5	Z1 RFS-B/MO45
Treated brass	1/4" G	6	Z1 RFS-B/FO60
	1/2" G	6	Z1 RFS-B/IO60
Treated brass	1/4" G	6	Z1 RFS-O/FO60
	1/2" G	6	Z1 RFS-O/IO60

Type of wire	Diam. mm		Base code	Value in $\Omega$ at 0°C	Element N° and limits	Type of RTD	Sheath material	Sheath LG mm	Extension LE mm	Wire length Lc m		Type of termination			
	øG	øB													
EEs - stn 300°C max	3	6	<b>P6 A30</b>	<b>P</b> Pt100 DIN - IEC	<b>0</b> 3-wire single Cl. B (1 DIN)	<b>0</b> Ceramic 750 °C max	<b>B</b> AISI 316	<b>0100</b>	<b>02</b> 20	<b>05</b> 0.5	<b>05</b> 1	<b>P</b> Terminals ø 1.4 - 1.8 max			
TS O 200°C max	3	6	<b>P6 D30</b>		<b>1</b> 3-wire single Cl. A (1/2 DIN)								<b>1</b> Thin film 250 °C max	<b>0150</b>	<b>05</b> 50
TS T 220°C max	3	6	<b>P6 G30</b>		<b>2</b> 3-wire single 1/3 DIN	<b>0200</b>						<b>08</b> 80		<b>15</b> 1.5	<b>G</b> Standard plug *
EEs - stn 300°C max	4.5	6	<b>P6 A45</b>		<b>3</b> 4-wire single Cl. A (1/2 DIN)	<b>0250</b>						<b>20</b> 2		<b>20</b> 2	
TS O 200°C max	4.5	6	<b>P6 D45</b>		<b>4</b> 4-wire single 1/3 DIN	<b>0300</b>						<b>25</b> 2.5		<b>25</b> 2.5	<b>S</b> Insul. and tinned leads
TS T 220°C max	4.5	6	<b>P6 G45</b>		<b>6</b> 6-wire dual Cl. B (1 DIN) *	<b>0350</b>						<b>30</b> 3		<b>30</b> 3	
EEs - stn 300°C max	6	8	<b>P6 A60</b>		<b>7</b> 6-wire dual Cl. A (1/2 DIN) *	<b>0400</b>						<b>35</b> 3.5		<b>35</b> 3.5	
TS O 200°C max	6	8	<b>P6 D60</b>		<b>8</b> 6-wire dual 1/3 DIN *	<b>0450</b>						<b>40</b> 4	<b>40</b> 4		
TS T 220°C max	6	8	<b>P6 G60</b>		<b>0500</b>	<b>45</b> 4.5	<b>45</b> 4.5								
						<b>50</b> 5	<b>50</b> 5								
						<b>00</b> 10	<b>00</b> 10								
						<b>L min 0080</b>									

**Note:** for LG, LE and Lc other lengths upon request. Code example: LG = 135mm cod. 0135 / LE = 60mm cod. 06 / Lc = 7m cod. 70, \* Non available with 4 wires.

**Product code example:** **P6 A45 - P00 - B0100 - 02 - 10 P**

90° angle MgO RTD with tinned EEs wire, ø 4.5 sheath, 3-wire Pt100 single element, class B (1 DIN), ceramic element, AISI 316 sheath, 100mm length, 20mm extension, 1m extension wire and ø 1.8mm terminals.