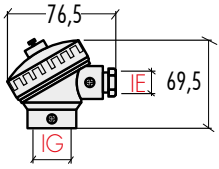
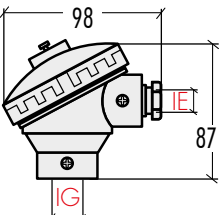
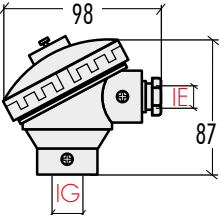
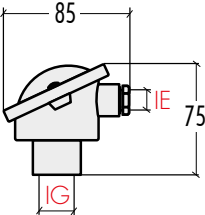
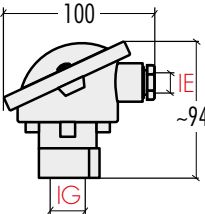
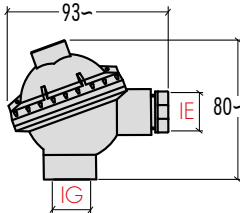
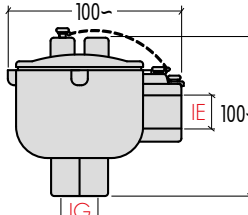
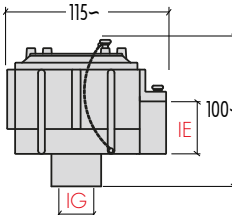
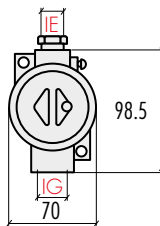


Accessories

Connection heads for electrical thermometers

Code	Type
Z6 - TC M - A • IH	Connection head Miniature
	<p>Material: Die-cast aluminium Finishing: Silver epoxidic painting Amb. Temp.: -40...100°C Protection: IP67 IG Sheath connec.: 1/2" G IE Electrical connec.: 3/8" G</p>
Z6 - TC S - A • II	Connection head Standard
	<p>Material: Die-cast aluminium Finishing: Silver epoxidic painting Amb. Temp.: -40...100°C Protection: IP67 IG Sheath connec.: 1/2" G IE Electrical connec.: 1/2" G</p>
Z6 - TC S - B • II	Connection head Standard INOX
	<p>Material: AISI316 Finishing: Bright Amb. Temp.: -40...100°C Protection: IP67 IG Sheath connec.: 1/2" G IE Electrical connec.: 1/2" G</p>
Z6 - TC B - A • II	Connection head DIN B
	<p>Material: Die-cast aluminium Finishing: Silver epoxidic painting Amb. Temp.: -40...100°C Protection: IP67 IG Sheath connec.: 1/2" G IE Electrical connec.: 1/2" G</p>
Z6 - TC A - A • JI	Connection head DIN A
	<p>Material: Die-cast aluminium Finishing: Silver epoxidic painting Amb. Temp.: -40...100°C Protection: IP67 IG Sheath connec.: 3/4" G IE Electrical connec.: 1/2" G</p>

Code	Type
Z6 - TC N - N • II	Connection head Polyamide
	<p>Material: Printed Nylon Finishing: Blu Amb. Temp.: -10...80°C Protection: IP67 IG Sheath connec.: 1/2" G IE Electrical connec.: 1/2" G</p>
Z6 - TX B • QQ	Connection head Explosion-proof II 2G Exdb IIC Gb
	<p>Esecuzione: EE x d Grado: II C Material: Die-cast aluminium Finishing: Silver epoxidic painting Amb. Temp.: 100°C max (T5) Protection: IP67 IG Sheath connec.: 1/2" NPT IE Electrical connec.: 1/2" NPT</p>
Z6 - TX C • IR	Connection head Explosion-proof II 2GD Exd IIC
	<p>Esecuzione: EE x d Grado: II C Material: Die-cast aluminium Finishing: Silver epoxidic painting Amb. Temp.: 85°C max (T6) Protection: IP67 IG Sheath connec.: 1/2" NPT IE Electrical connec.: 3/4" NPT</p>
Z6 - TC B - A • JI	Wall-mounting connection case
	<p>Material: Die-cast aluminium Finishing: Black epoxidic painting Amb. Temp.: -40...100°C Protection: IP67 IG Sheath connec.: 3/4" G IE Electrical connec.: 1/2" G</p>